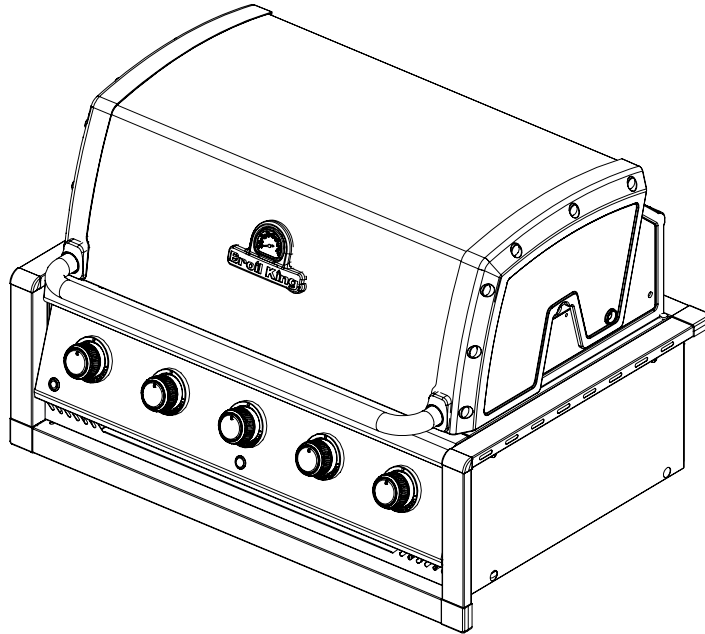
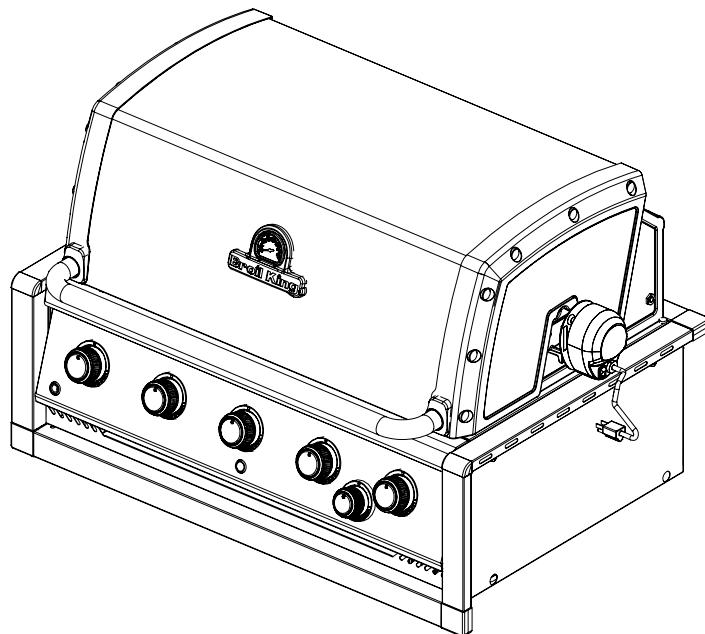


Broil King®

Broil King
REGAL 520
8866-52
8866-53
8866-56



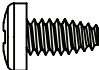
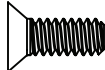
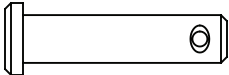
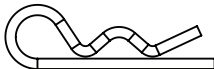
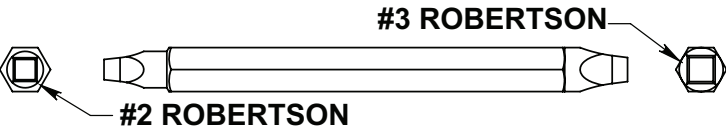
Broil King
REGAL 570
8866-72
8866-73
8866-76



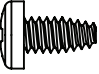
Onward
MANUFACTURING COMPANY
SINCE 1906
585 KUMPF DRIVE LIMITED
WATERLOO, ONTARIO, CANADA
N2V 1K3

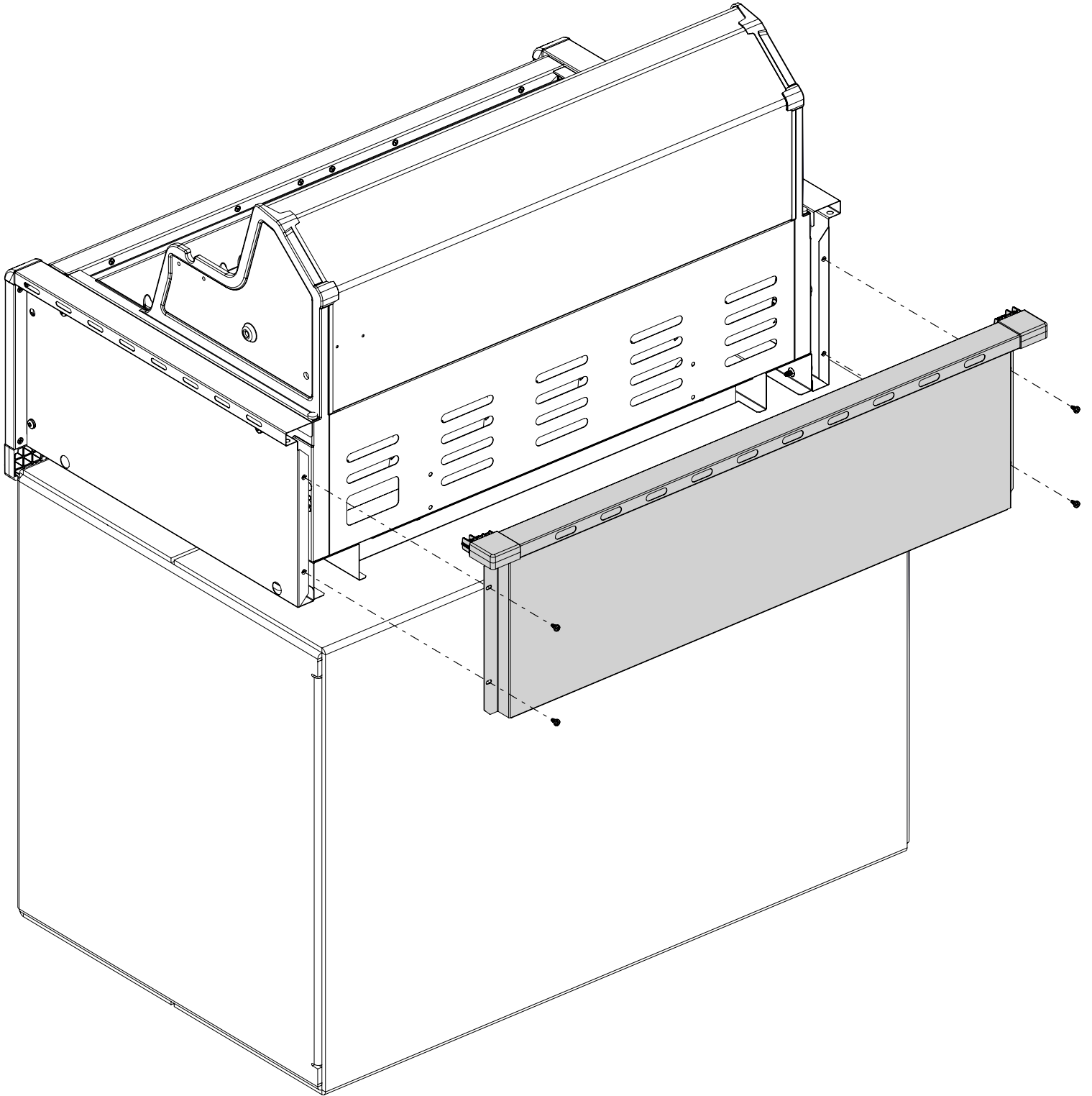
70084-E72EU REV C 12/21

HARDWARE INCLUDED / MATERIAL INCLUS / EQUIPOS INCLUIDO

Y-29304  (4)	Y-29301  (2)
S21235  (2)	S21233  (2)
 <p>#3 ROBERTSON</p> <p>#2 ROBERTSON</p>	

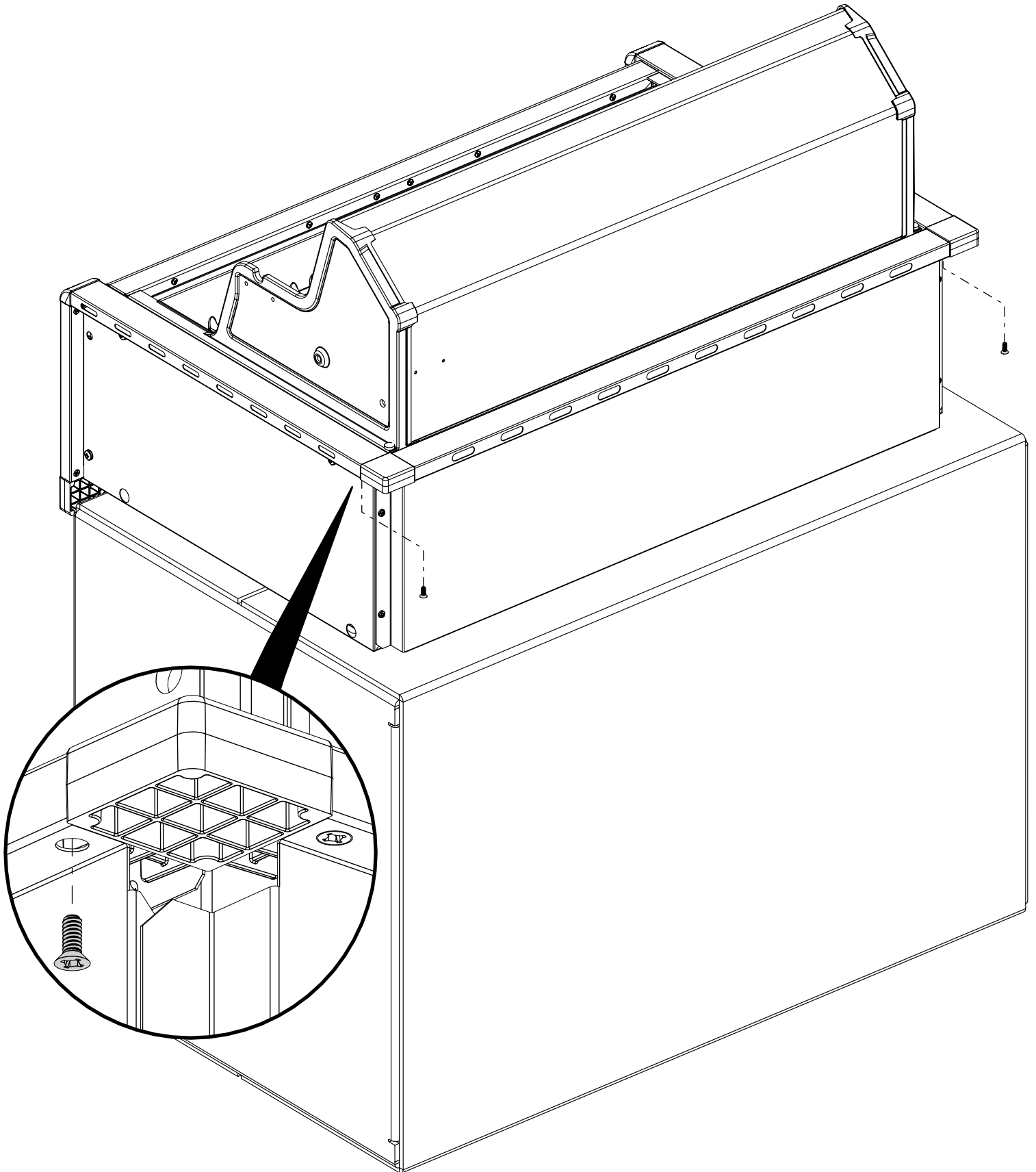
1

(4) 

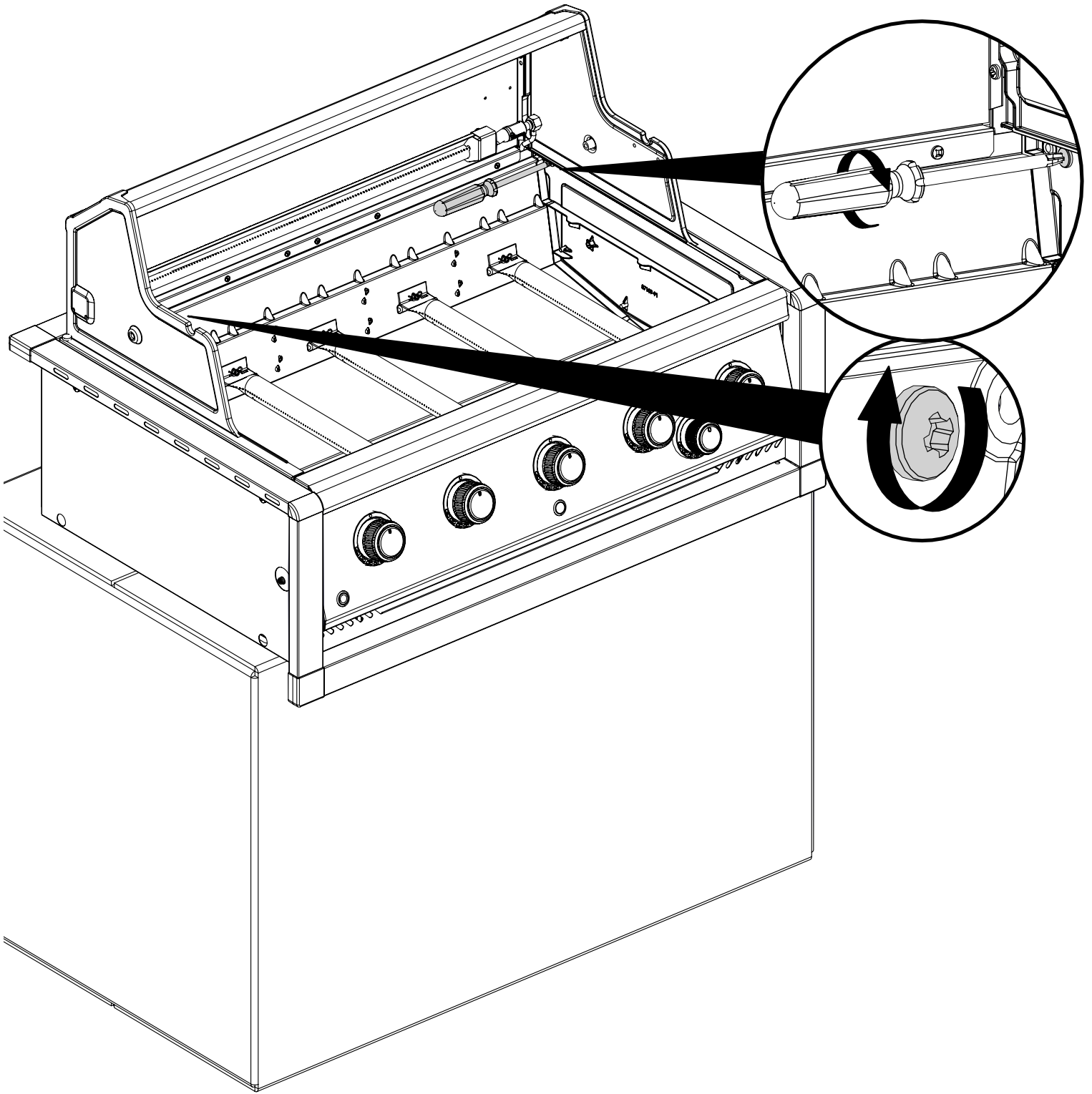


2

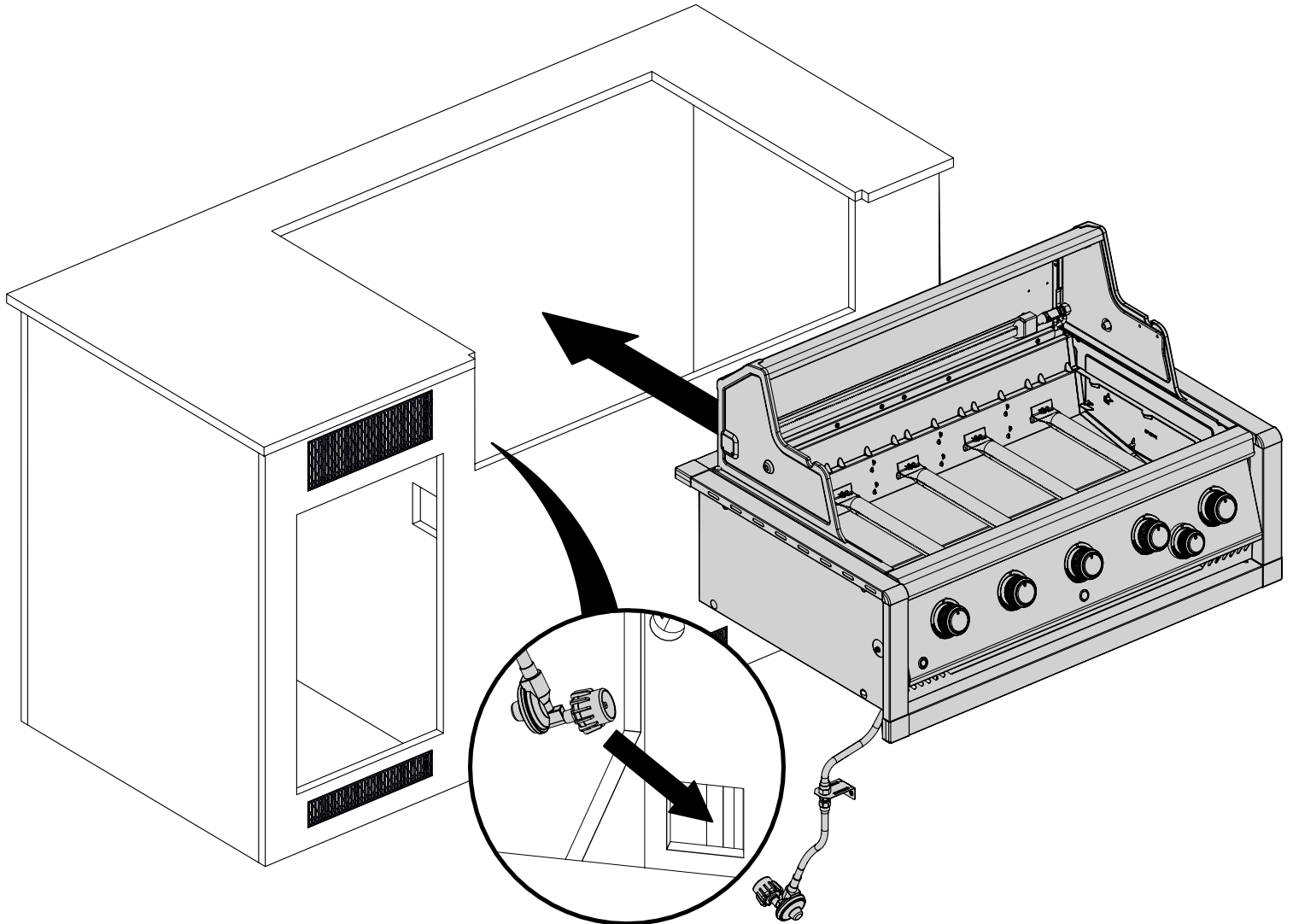
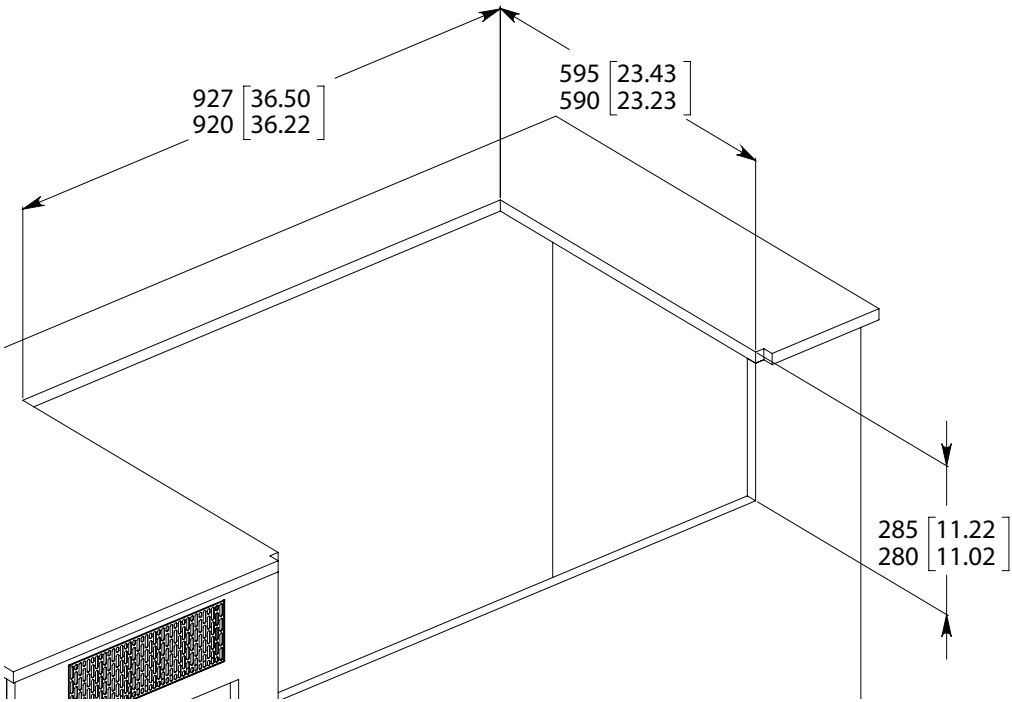
(2) 



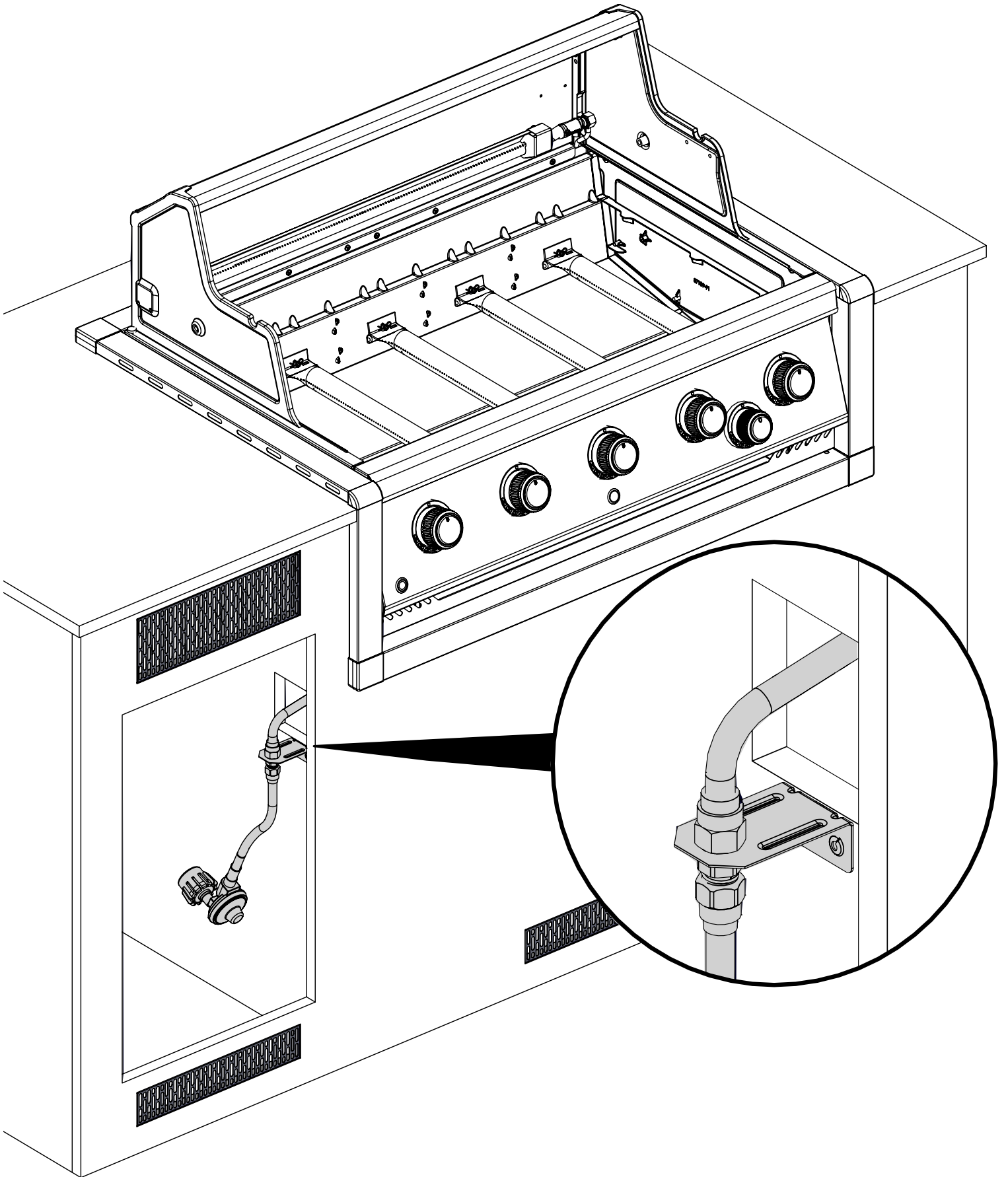
3



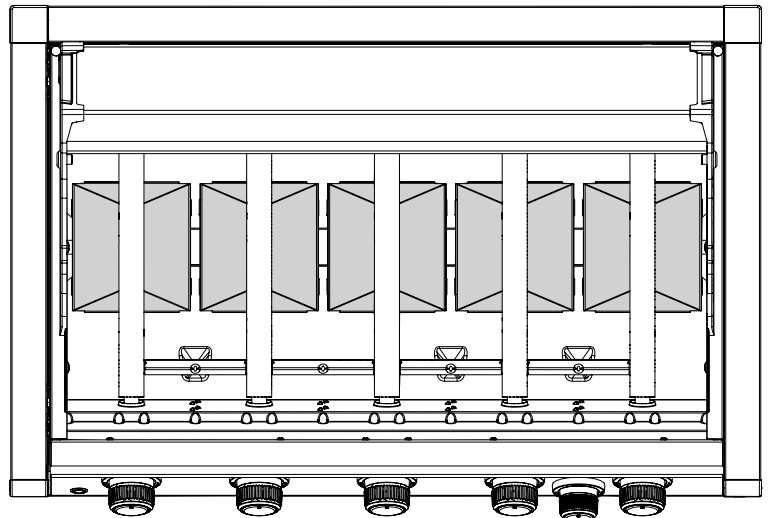
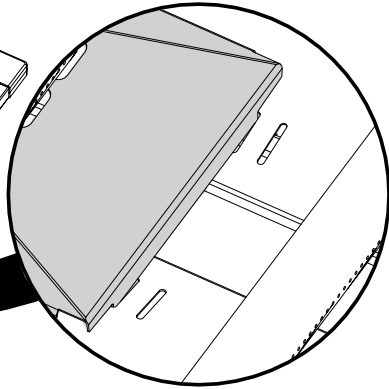
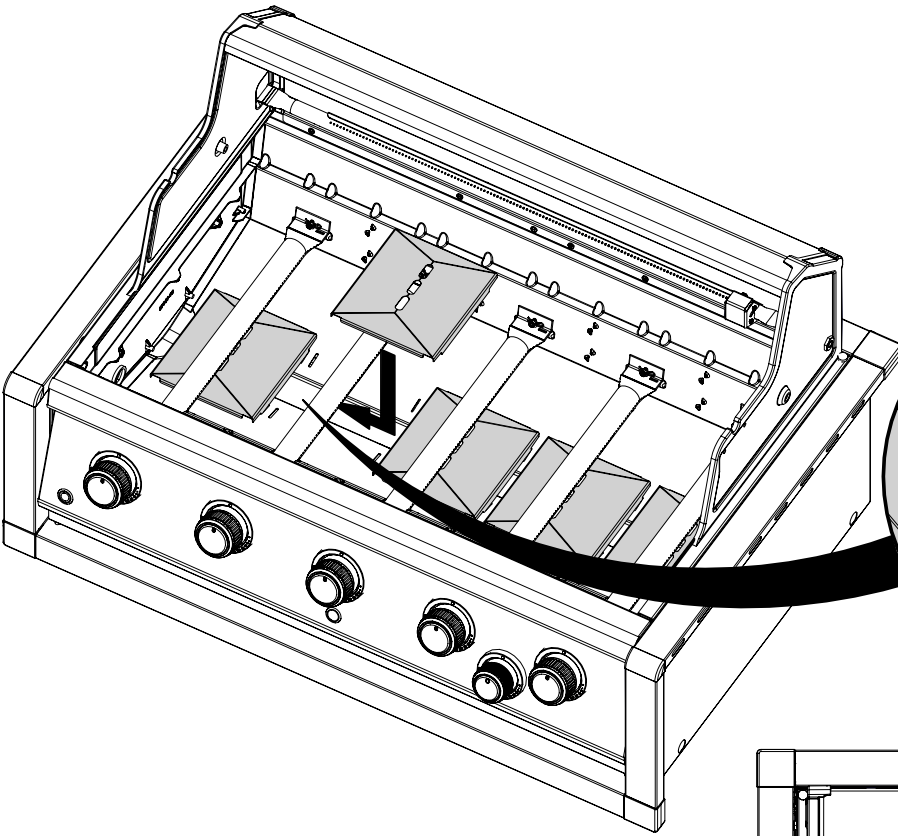
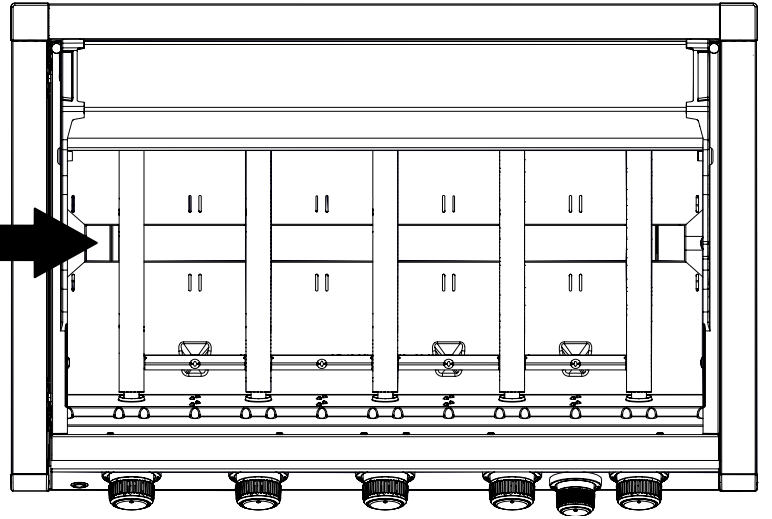
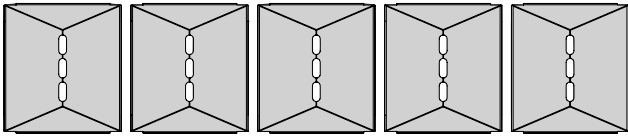
4



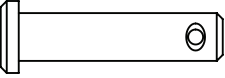
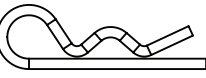
5

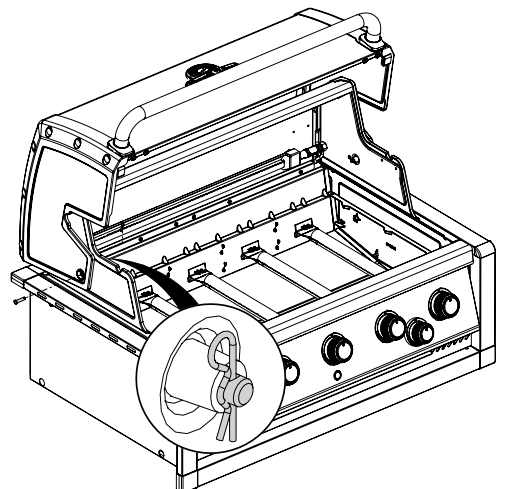
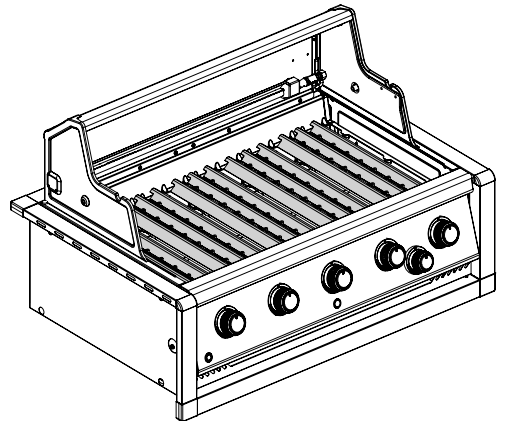
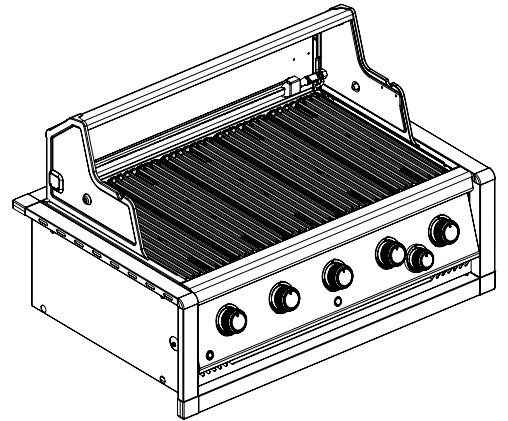
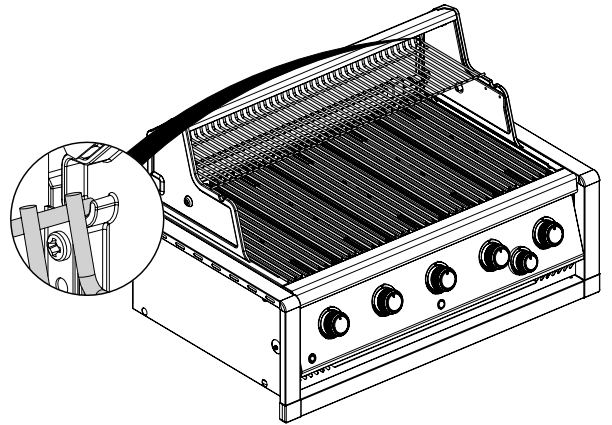
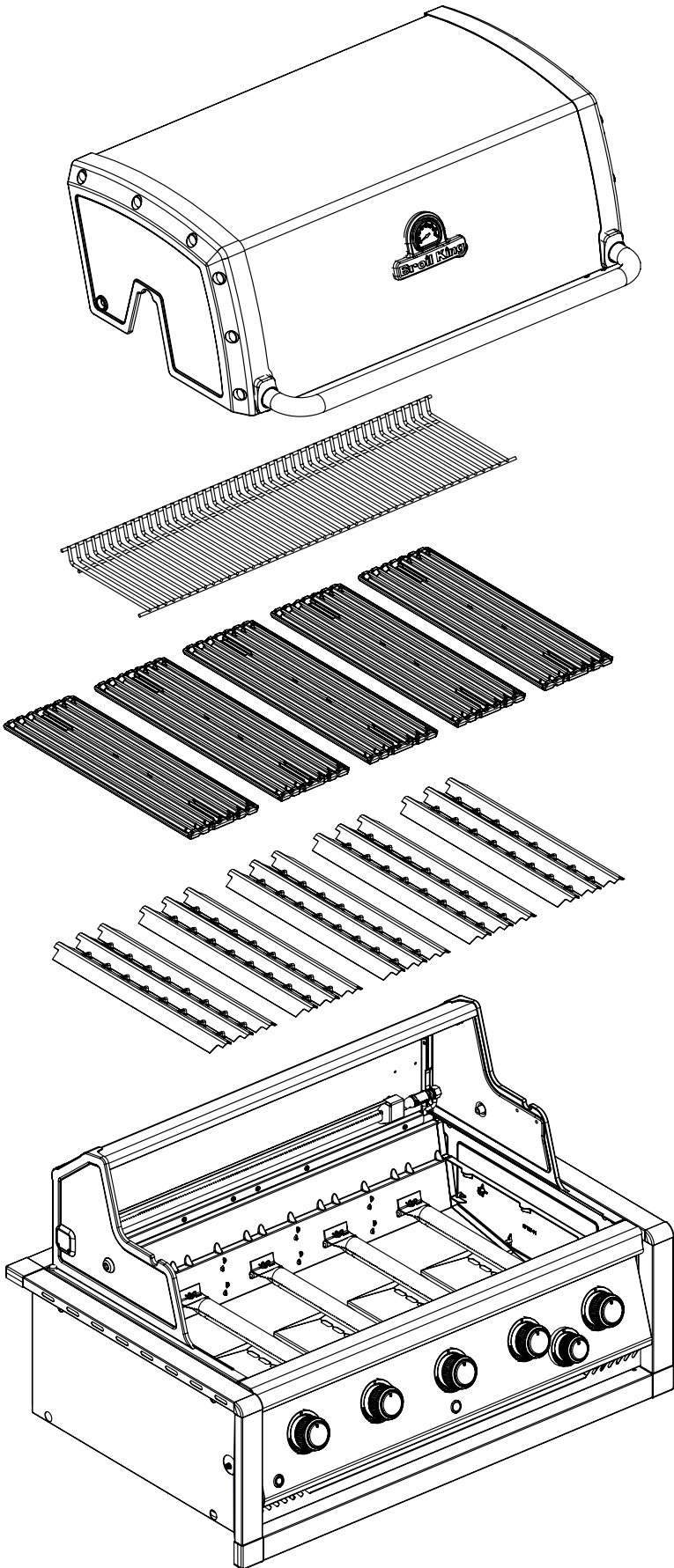


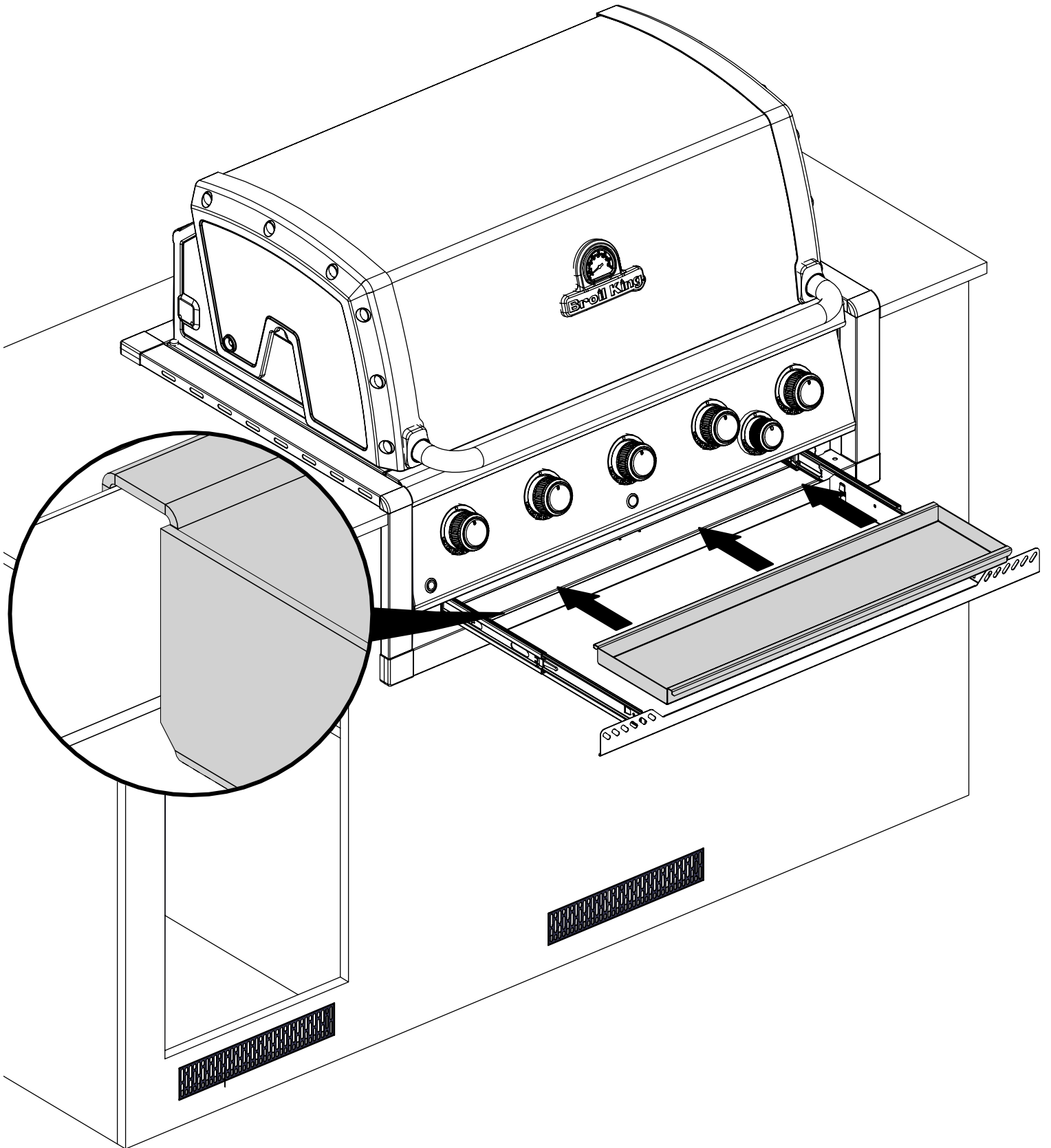
6



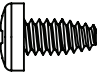
7

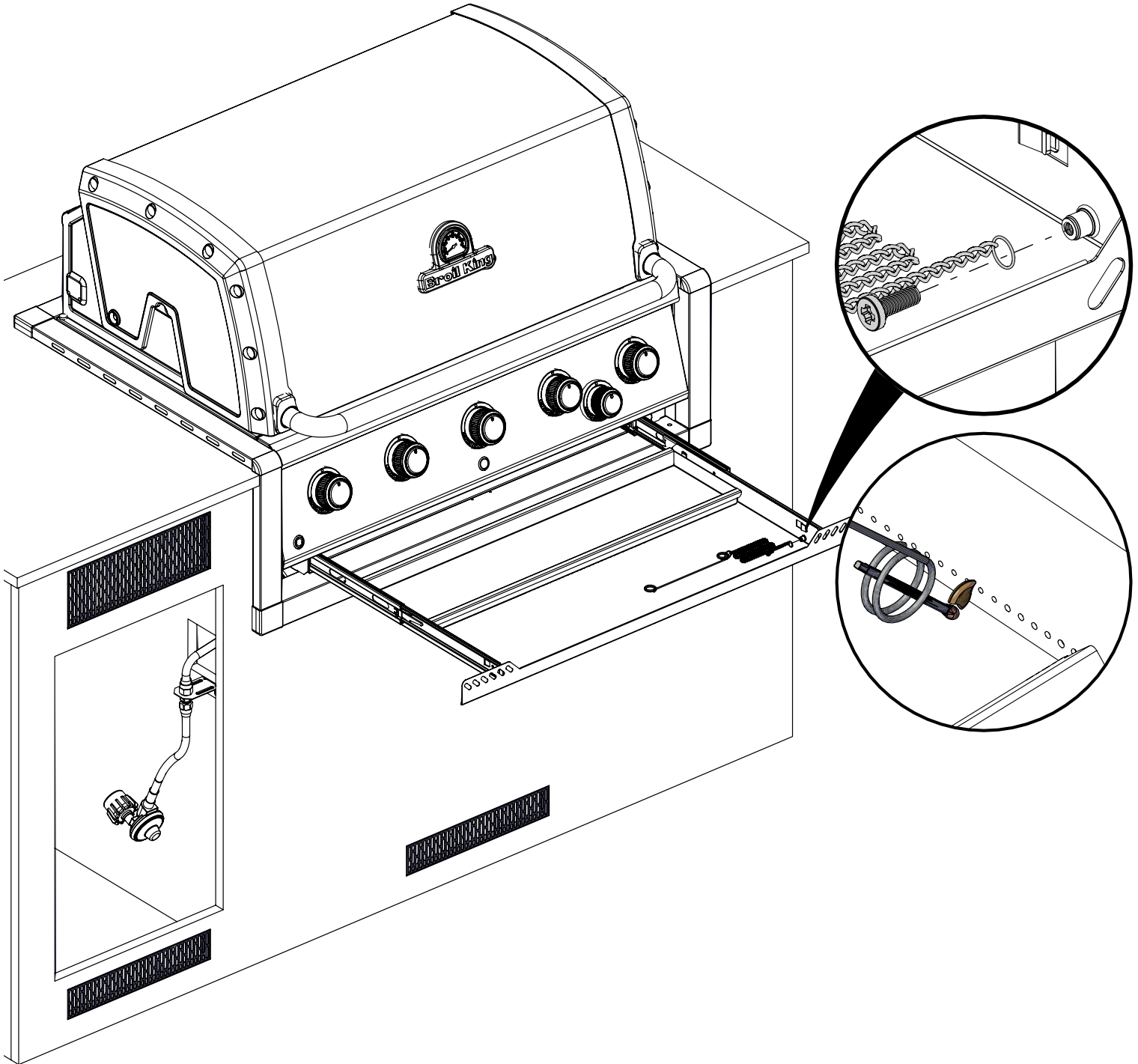
(2)  (2) 

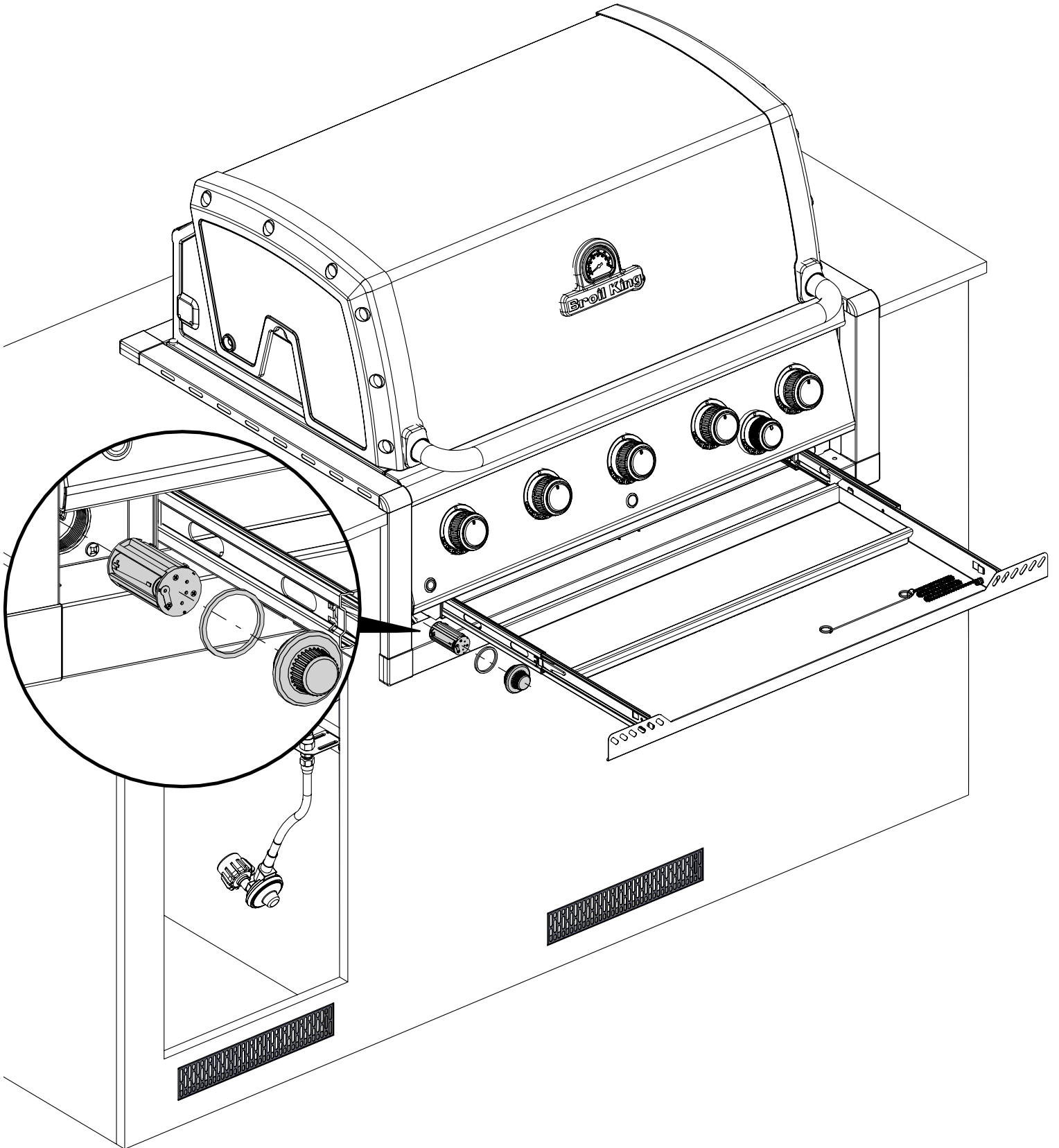


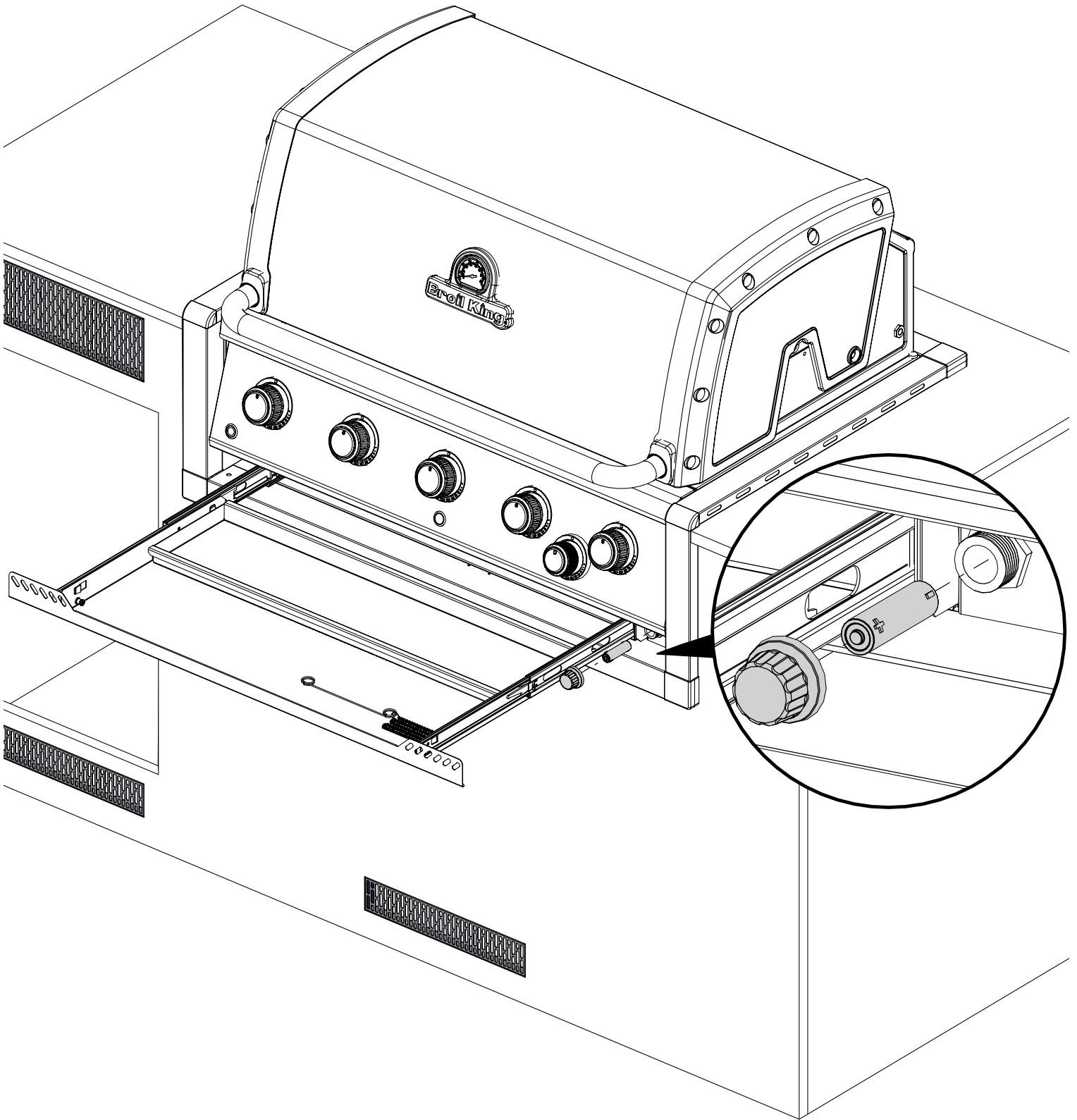


9

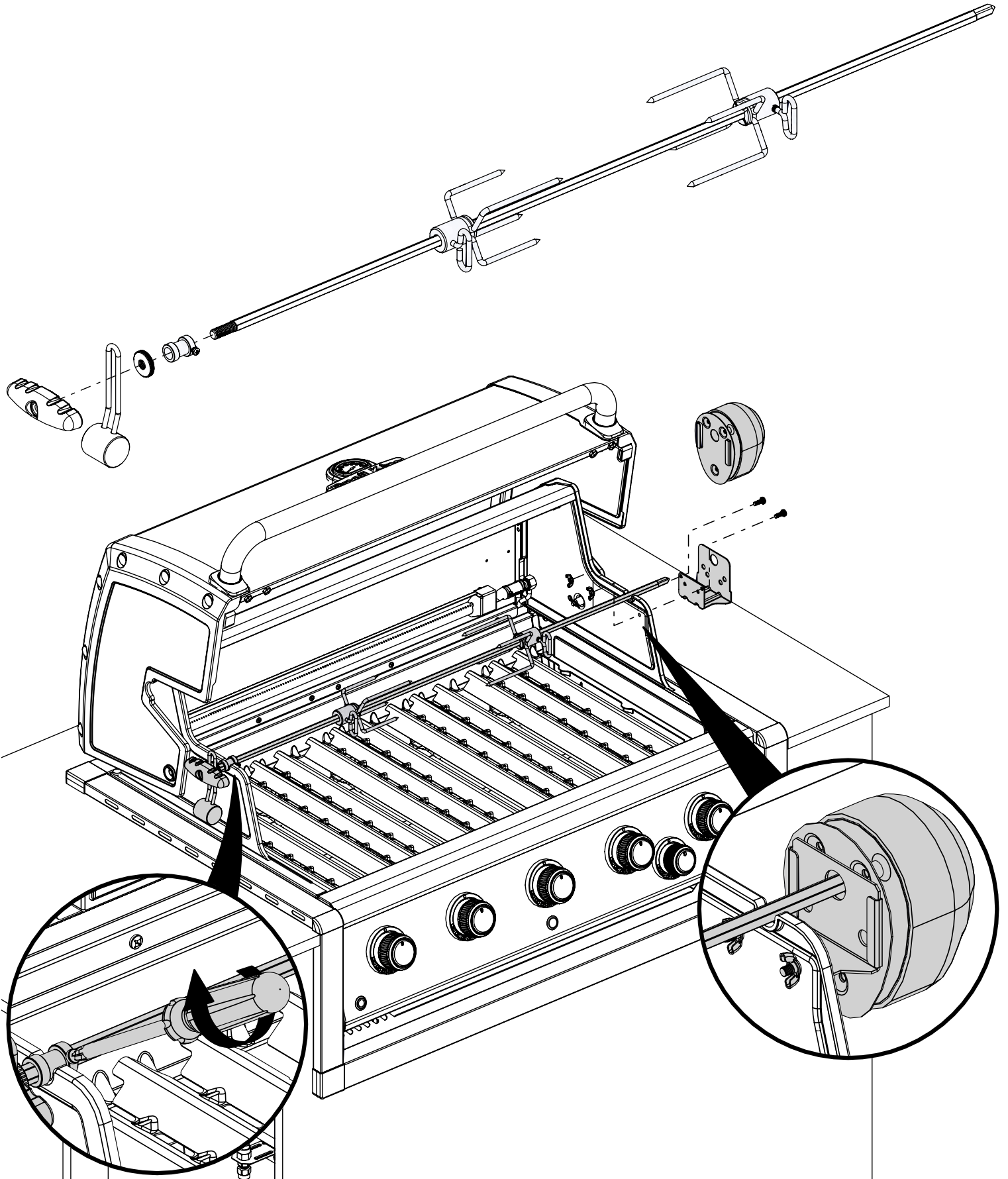
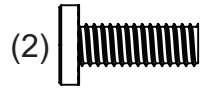
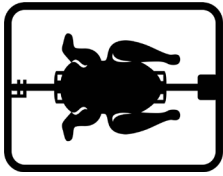
(1)  (1)

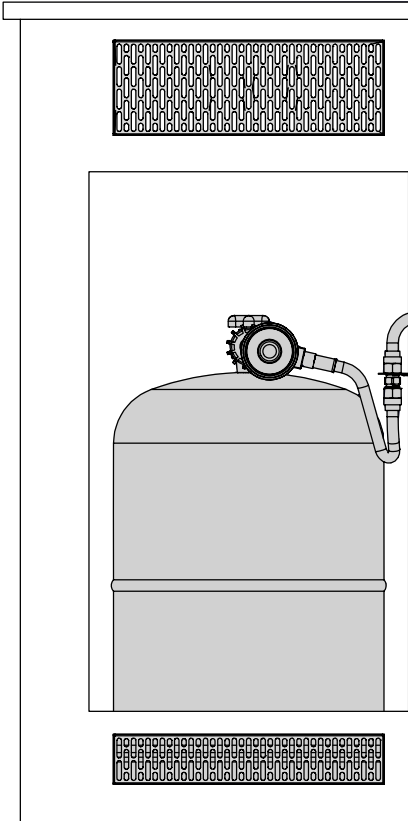
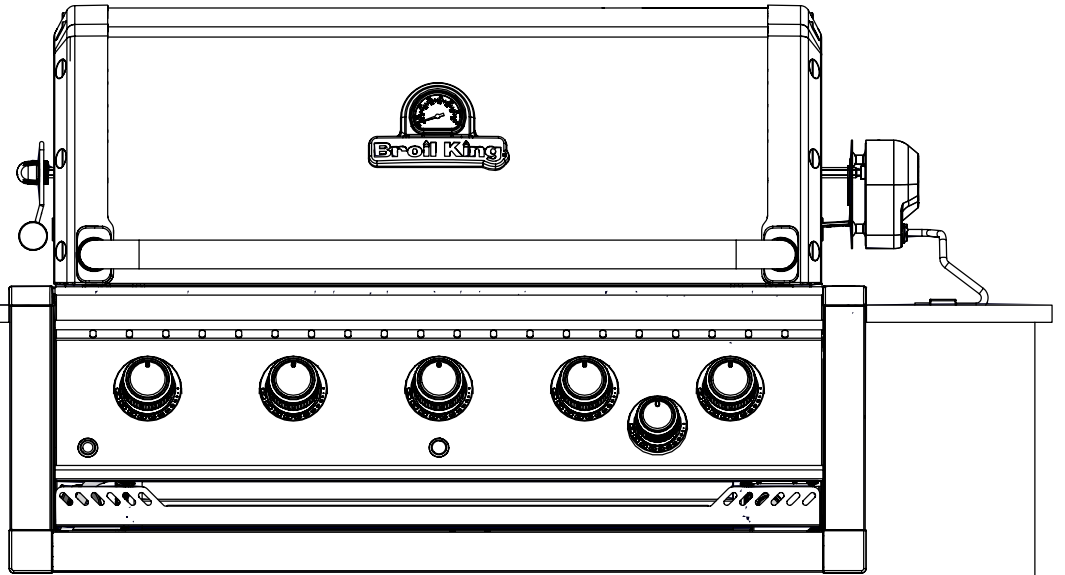






12





PARTS LIST

KEY #	ITEM #	DESCRIPTION	8866-52	8866-53	8866-56	8866-72	8866-73	8866-76
1	77006-003	FIRE BOX ASSEMBLY	1	1	1	1	1	1
2	86006-301	LID ASSEMBLY	1	1	1	1	1	1
5	27249-904	GREASE SHIELD	5	5	5	5	5	5
7	Y-11544S	BURNER SCREW	5	5	5	5	5	5
8	S21242	BURNER CLIP	5	5	5	5	5	5
18	22005-281	COOKING GRID	5	5	5	5	5	5
20	22006-992	GRID - WARMING RACK	1	1	1	1	1	1
22	22026-903	COLLECTOR BOX	1	1	1	1	1	1
25	22909-104D	BURNER	5	.	.	5	.	.
	22909-104E	BURNER	.	5	.	.	5	.
	22909-104NGE	BURNER	.	.	5	.	.	5
26	22001-769	CONTROL KNOB	5	5	5	5	5	5
26A	22001-669	CONTROL KNOB	.	.	.	1	1	1
27	22002-264	CONTROL BEZEL	5	5	5	5	5	5
27A	22001-164	CONTROL BEZEL	.	.	.	1	1	1
28	22006-813	CONTROL COVER	1	1	1	.	.	.
	22006-853	CONTROL COVER	.	.	.	1	1	1
32	10111-16A	PIG TAIL HOSE ASSEMBLY	1	1	1	1	1	1
35	79006-012	CONTROL ASSEMBLY	1
	79006-013	CONTROL ASSEMBLY	.	1
	79006-016	CONTROL ASSEMBLY	.	.	1	.	.	.
	29006-052	CONTROL ASSEMBLY	.	.	.	1	.	.
	29006-053	CONTROL ASSEMBLY	1	.
	29006-056	CONTROL ASSEMBLY	1
37	20809-957	TUBE-REAR BURNER ASSY	.	.	.	1	1	1
38	Y-11990	HEX NUT	.	.	.	1	1	1
41	71039-903	BATTERY BRACKET	1	1	1	1	1	1
43	10342-E13	ELECTRODE	1	1	1	1	1	1
43A	10342-E22	ELECTRODE	1	1	1	1	1	1
43B	10342-E38	ELECTRODE	1	1	1	1	1	1
44	10342-43	ELECTRONIC IGNITOR	1	1	1	.	.	.
	10342-44	ELECTRONIC IGNITOR	.	.	.	1	1	1
44A	25070-925	IGNITOR WIRE	1	1	1	1	1	1
44B	25070-93	IGNITOR BUTTON	1	1	1	1	1	1
45	72039-903	IGNITOR BRACKET	1	1	1	1	1	1
46	72049-603	IGNITOR SHIELD	1	1	1	1	1	1
47	71209-033	TRIM FRONT SIDE	2	2	2	2	2	2
48	71056-004	GREASE PAN	1	1	1	1	1	1
49	71066-003RA	DRAWER	1	1	1	1	1	1
51	22009-103	FLAV-R-WAVE ®	5	5	5	5	5	5
56	24006-12A	HANDLE	1	1	1	1	1	1
58	54009-936	HANDLE STANDOFF	2	2	2	2	2	2
59	10081-BK630	NAMEPLATE	1	1	1	1	1	1
60	10571-6	HEAT INDICATOR	1	1	1	1	1	1
65	25005-000	MATCH LIGHT	1	1	1	1	1	1
74	Y-99101	DRAWER SLIDE	2	2	2	2	2	2
80	71109-033R	TRIM SIDE - LH	1	1	1	1	1	1
81	71109-043R	TRIM SIDE - RH	1	1	1	1	1	1
84	70206-013	TRIM FRONT	1	1	1	1	1	1
88	71306-023	TRIM REAR	1	1	1	1	1	1
90	71626-003	BASE	1	1	1	1	1	1
101	Y-12130	CORNER CAP - 90 DEGREE	4	4	4	4	4	4
102	Y-12131	CORNER CAP	2	2	2	2	2	2
130	27906-354	REAR BURNER	.	.	.	1	1	1

PARTS LIST

<u>KEY #</u>	<u>ITEM #</u>	<u>DESCRIPTION</u>	<u>8866-52</u>	<u>8866-53</u>	<u>8866-56</u>	<u>8866-72</u>	<u>8866-73</u>	<u>8866-76</u>
131	10693-099	REAR BURNER ORIFICE	.	.	.	1	.	.
	10693-102	REAR BURNER ORIFICE	1	.
	10693-155	REAR BURNER ORIFICE	1
133	S15271	HANDLE	.	.	.	1	1	1
134	S15270	BALANCER	.	.	.	1	1	1
135	S15299	WASHER	.	.	.	1	1	1
136	S15263	BUSHING	.	.	.	1	1	1
137	S15259	SPIT ROD	.	.	.	1	1	1
138	S15287	4 PRONG FORKS	.	.	.	2	2	2
139	57039-901	ROTISSERIE BRACKET	.	.	.	1	1	1
141	Y-11559	SCREW - 1/4-20 X 3/4	2	2	2	2	2	2
145	S21235	HINGE PIN	2	2	2	2	2	2
146	S21233	HITCH PIN CLIP	2	2	2	2	2	2
147	Y-11236	LID BUMPER	2	2	2	2	2	2
155	S21124	SCREW #8 X 1/2	6	6	6	6	6	6
157	Y-12835	SCREW #6-32 X 1/4	.	.	.	2	2	2
159	S21127S	SCREW - #8-32 X 3/8	10	10	10	10	10	10
161	Y-29304	SCREW - #10-24 X 3/8	13	13	13	13	13	13
162	S35095	SCREW #10-24 X 5/8	.	.	.	2	2	2
167	Y-29301	SCREW - #10-24 X 1/2	12	12	12	12	12	12
169	S21061	WING NUT	.	.	.	2	2	2
171	S15246	MOTOR	.	.	.	1	1	1
172	S15508	ELECTRODE	.	.	.	1	1	1
173	S21362	SPRING	.	.	.	1	1	1
181	25030-73	LIGHT SWITCH WIRE	1	1	1	1	1	1
181A	25070-95	LIGHT SWITCH BUTTON	1	1	1	1	1	1
184	25080-80	BATTERY PACK	1	1	1	1	1	1
188	Y-12865	SCREW 1/4-20 X 1/2	16	16	16	16	16	16
190	25020-83	WIRE - LED LIGHT	1	1	1	1	1	1
191	25020-82	WIRE - LED LIGHT	1	1	1	.	.	.
	25020-83	WIRE - LED LIGHT	.	.	.	1	1	1
193	SP11-25	LID BUMPER	2	2	2	2	2	2

