

# Broil King®

---

---



**Broil King**  
**S200 RANGE BURNER**  
803762  
803763  
803763PL  
803766

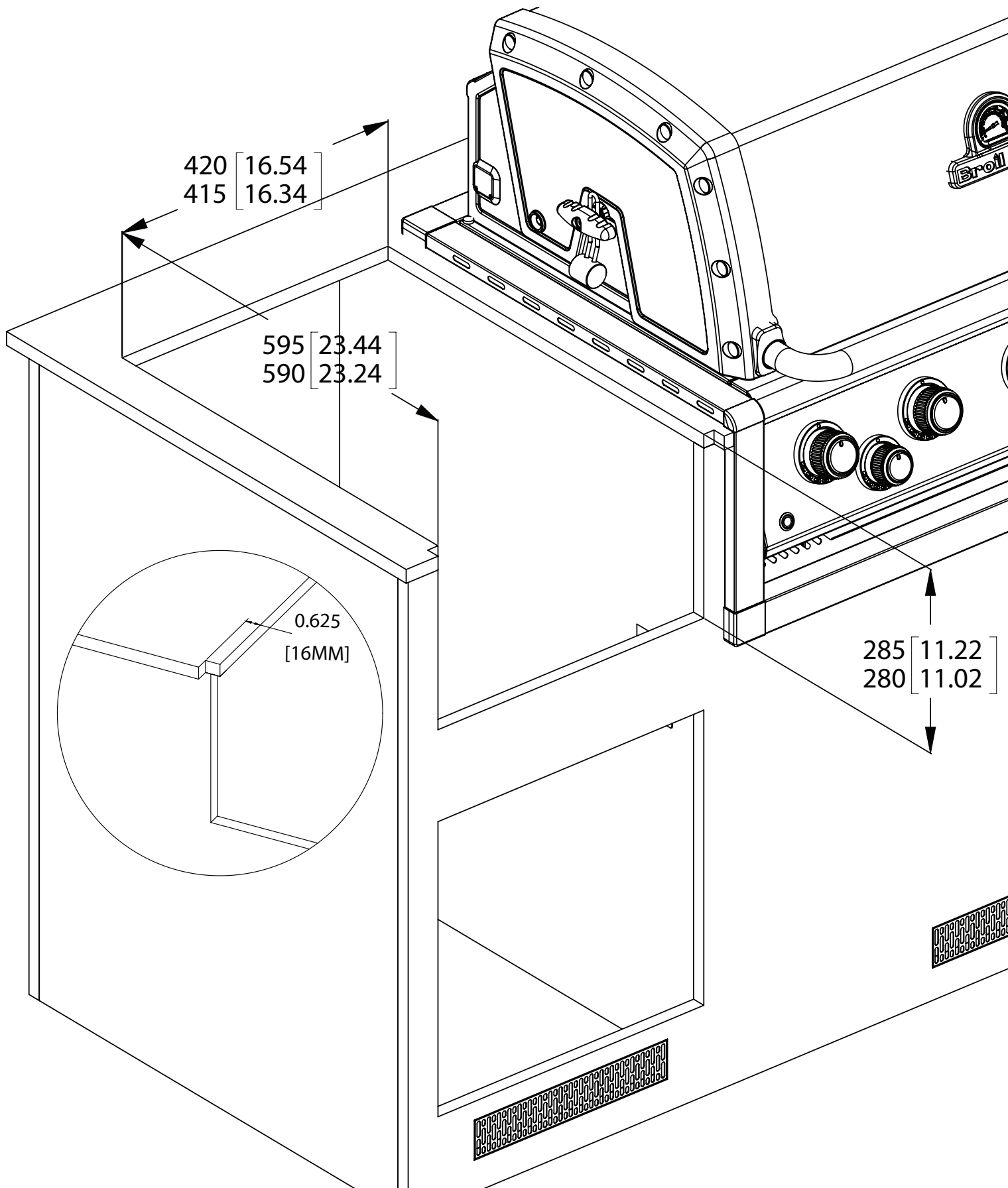
---

---

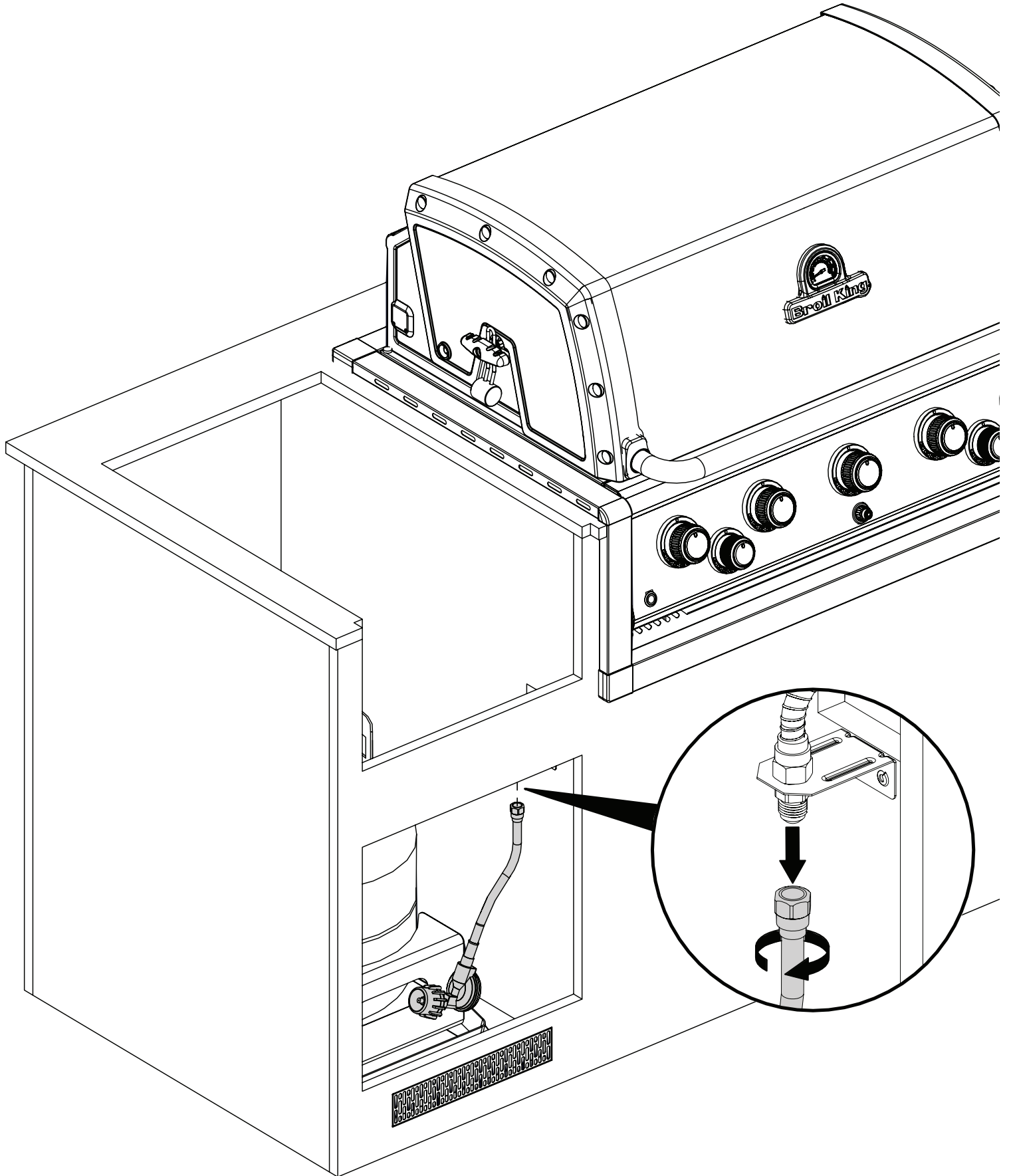
*Onward*  
**MANUFACTURING COMPANY**  
SINCE 1906  
585 KUMPF DRIVE LIMITED  
WATERLOO, ONTARIO, CANADA  
N2V 1K3

70084-S200EU REV A 02/23

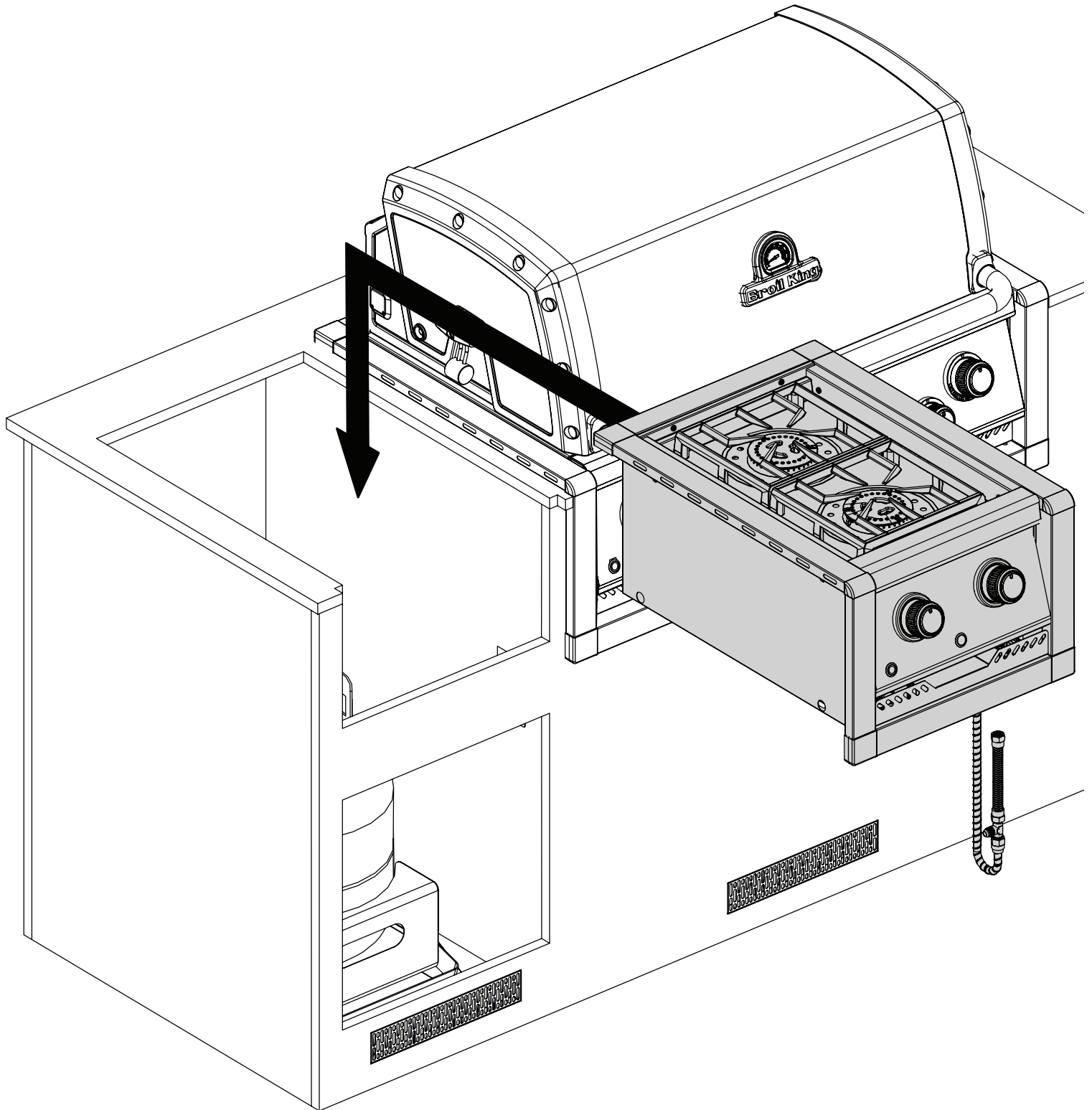
1



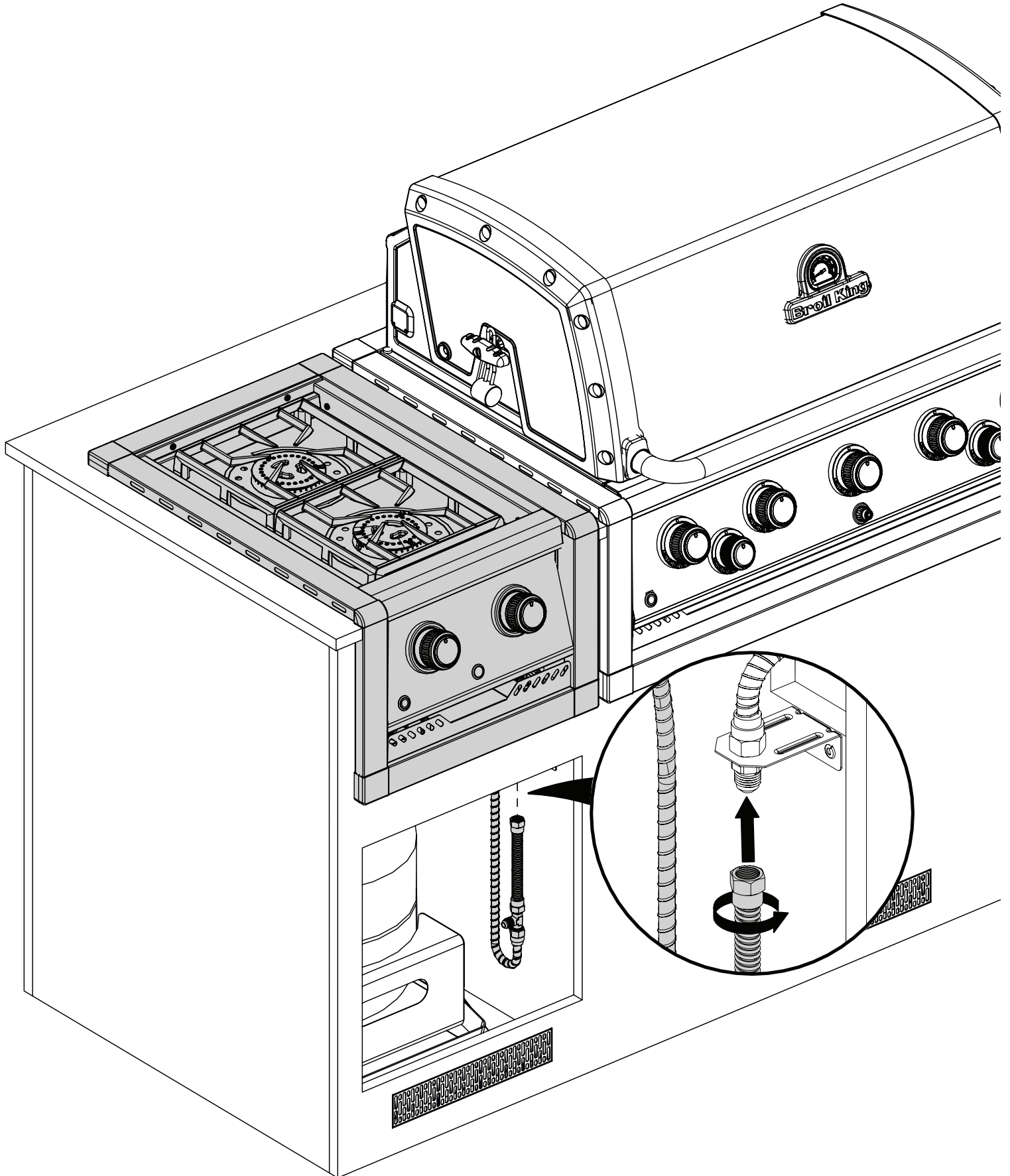
2



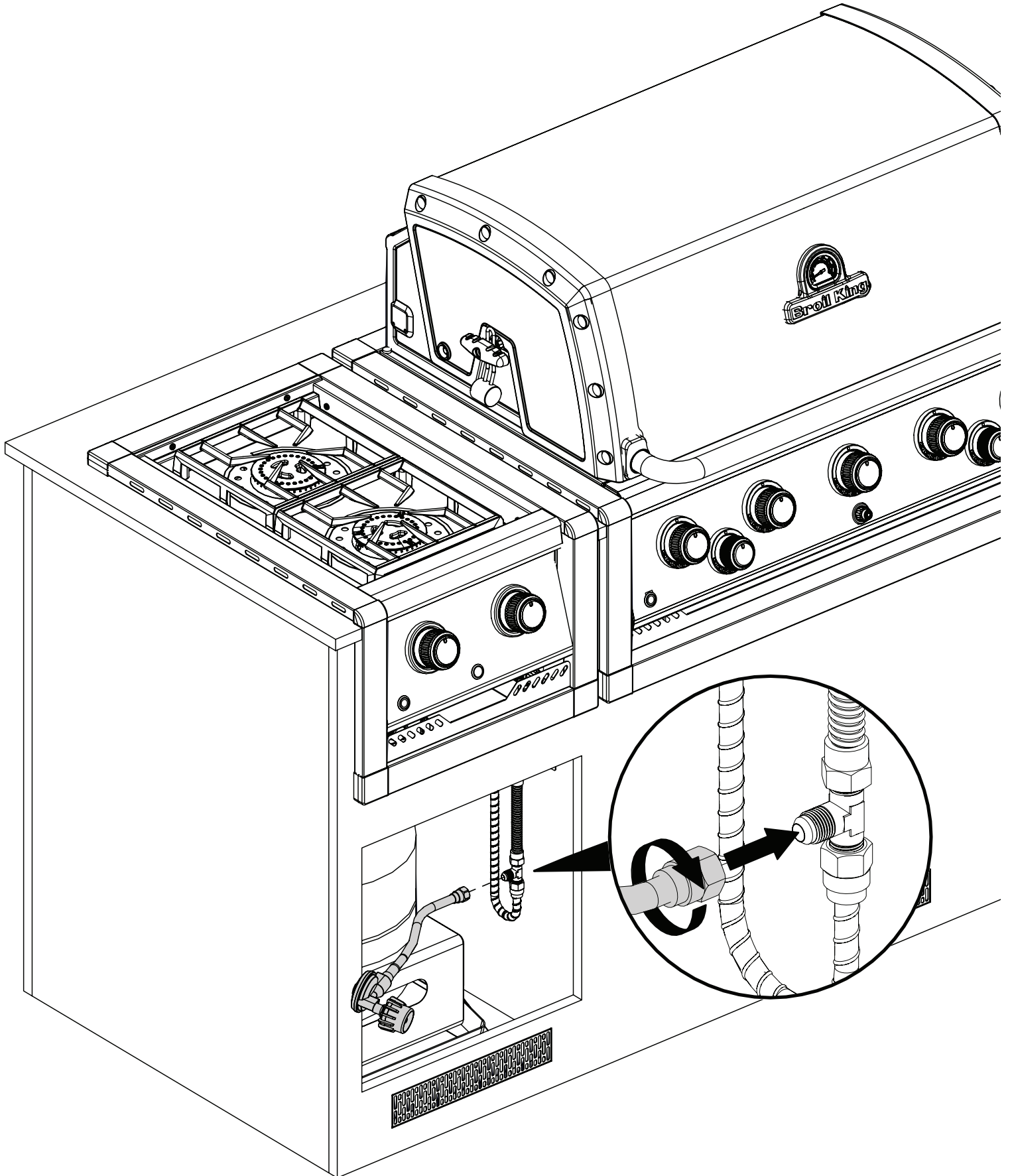
3



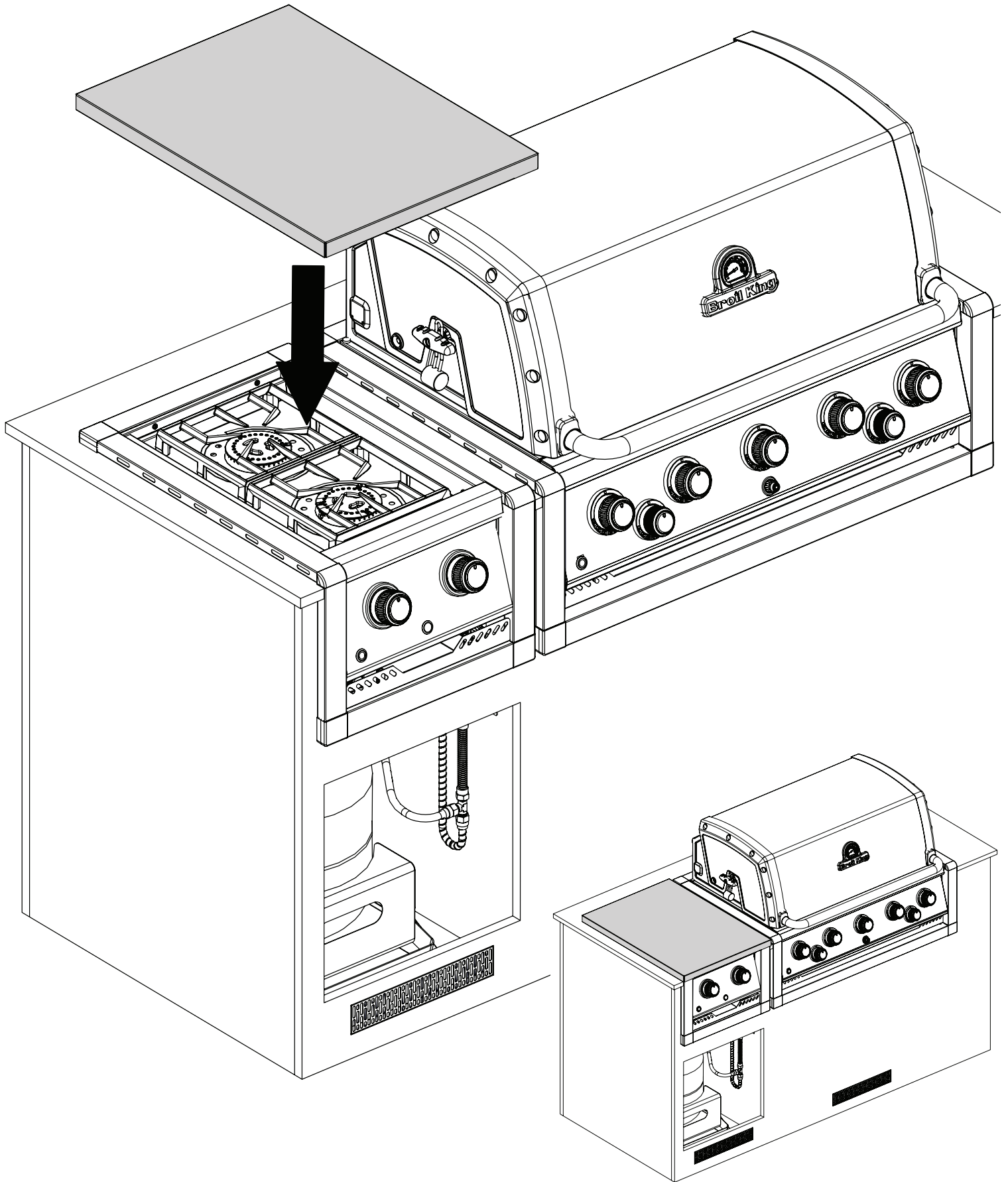
4



5



6



## PARTS LIST / LISTE DES PIECES

<u>KEY #</u>	<u>ITEM #</u>	<u>DESCRIPTION</u>	<u>803762</u>	<u>803763</u>	<u>803763PL</u>	<u>803766</u>
1	73009-203A	FIREBOX ASSEMBLY	1	1	1	1
2	71109-033R	SIDE TRIM - LH	1	1	1	1
3	71109-043R	SIDE TRIM - RH	1	1	1	1
4	73309-233	REAR TRIM	1	1	1	1
5	73209-213	FRONT TRIM	1	1	1	1
6	71209-033	FRONT SIDE TRIM	2	2	2	2
7	73199-273	SIDE BURNER BODY	1	1	1	1
8	73609-203	BASE	1	1	1	1
9	73169-213	GREASE TRAY DRAWER	1	1	1	1
10	73109-203	CONTROL COVER	1	1	1	1
11	73000-253	SIDE BURNER LID	1	1	1	1
12	73409-381A	SIDE BURNER GRID	2	2	2	2
13	72053-007	GREASE PAN	1	1	1	1
14	Y-99101	DRAWER SLIDE SET	1	1	1	1
15	25080-80	BATTERY PACK	1	1	1	1
16	Y-12130	CORNER CAP	4	4	4	4
17	Y-12131	CORNER CAP	2	2	2	2
18	22002-264	BEZEL	2	2	2	2
19	22001-769	CONTROL KNOB	2	2	2	2
20	25070-95	LIGHT SWITCH	1	1	1	1
21	25070-93	IGNITOR BUTTON	1	1	1	1
22	25070-92	IGNITOR WIRE HARNESS	1	1	1	1
23	10342-42	IGNITOR	1	1	1	1
24	10153-27A	SPLITTER ASSEMBLY	1	1	1	1
25	79003-012 - DE	VALVE ASSEMBLY	1	•	•	•
	79003-013 - EU	VALVE ASSEMBLY	•	1	•	•
	79003-013PL - PL	VALVE ASSEMBLY	•	•	1	•
	79003-016 - NG	VALVE ASSEMBLY	•	•	•	1
26	10390-R50A	SIDE BURNER	2	2	2	2
27	10342-T14	ELECTRODE WIRE	2	2	2	2
30	S21125	SCREW #8 X 3/8	4	4	4	4
31	S21124	SCREW #8 X 1/2	2	2	2	2
32	Y-29301	SCREW #10-24 X 1/2	12	12	12	12
33	Y-29304S	SCREW #10-24 X 3/8	18	18	18	18
34	Y-12865	SCREW 1/4-20 X 1/2	4	4	4	4
35	Y-11230	CLIP	2	2	2	2
36	S21127S	SCREW #8-32 X 7/16	4	4	4	4
37	Y-12871	SCREW M4 X 0.7	6	6	6	6
40	25030-73	LIGHT SWITCH WIRE HARNESS	1	1	1	1
41	25020-82	LED HARNESS	1	1	1	1



