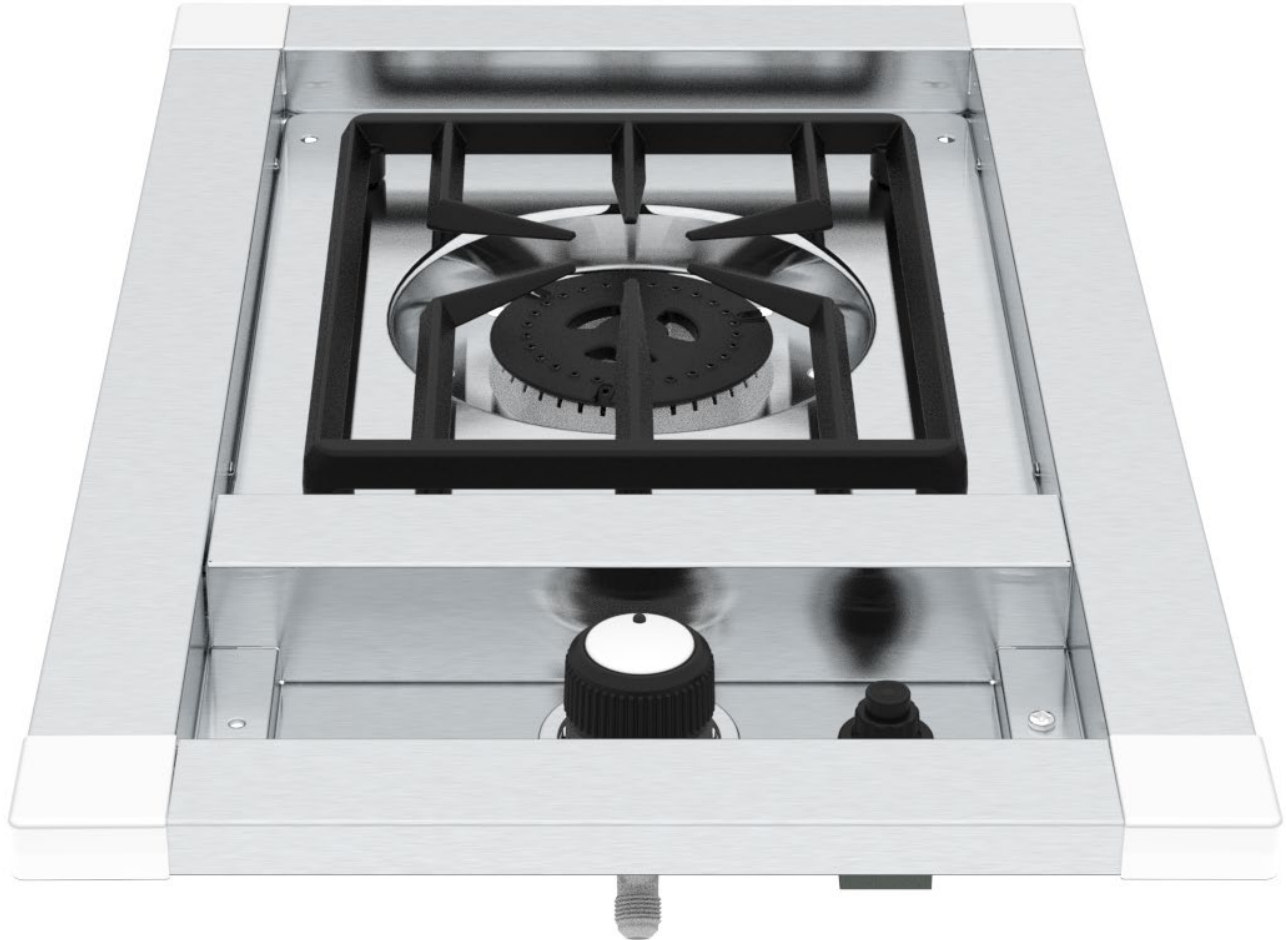


Broil King®



Broil King

S100 RANGE BURNER

802762

802763

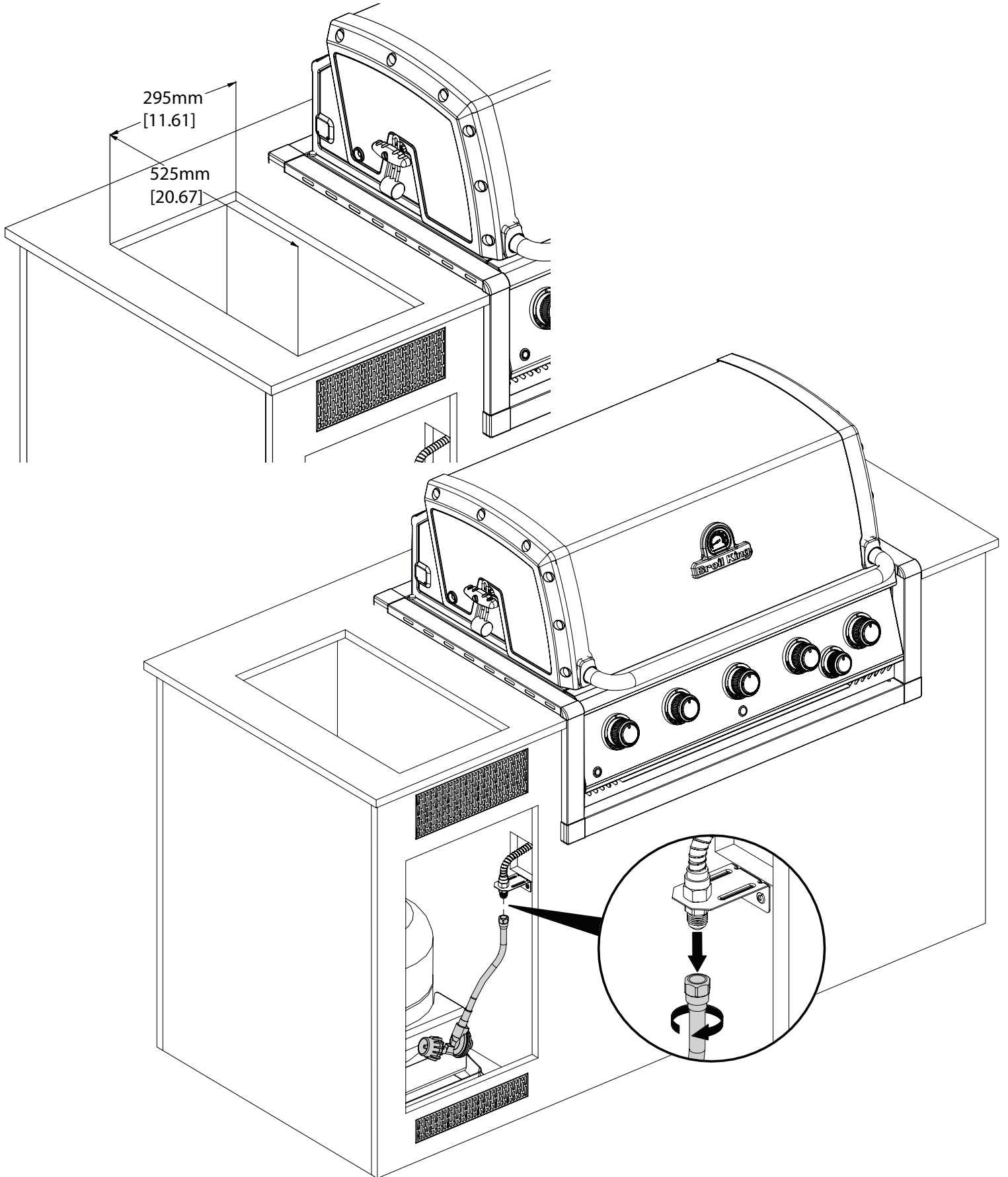
802763PL

802766

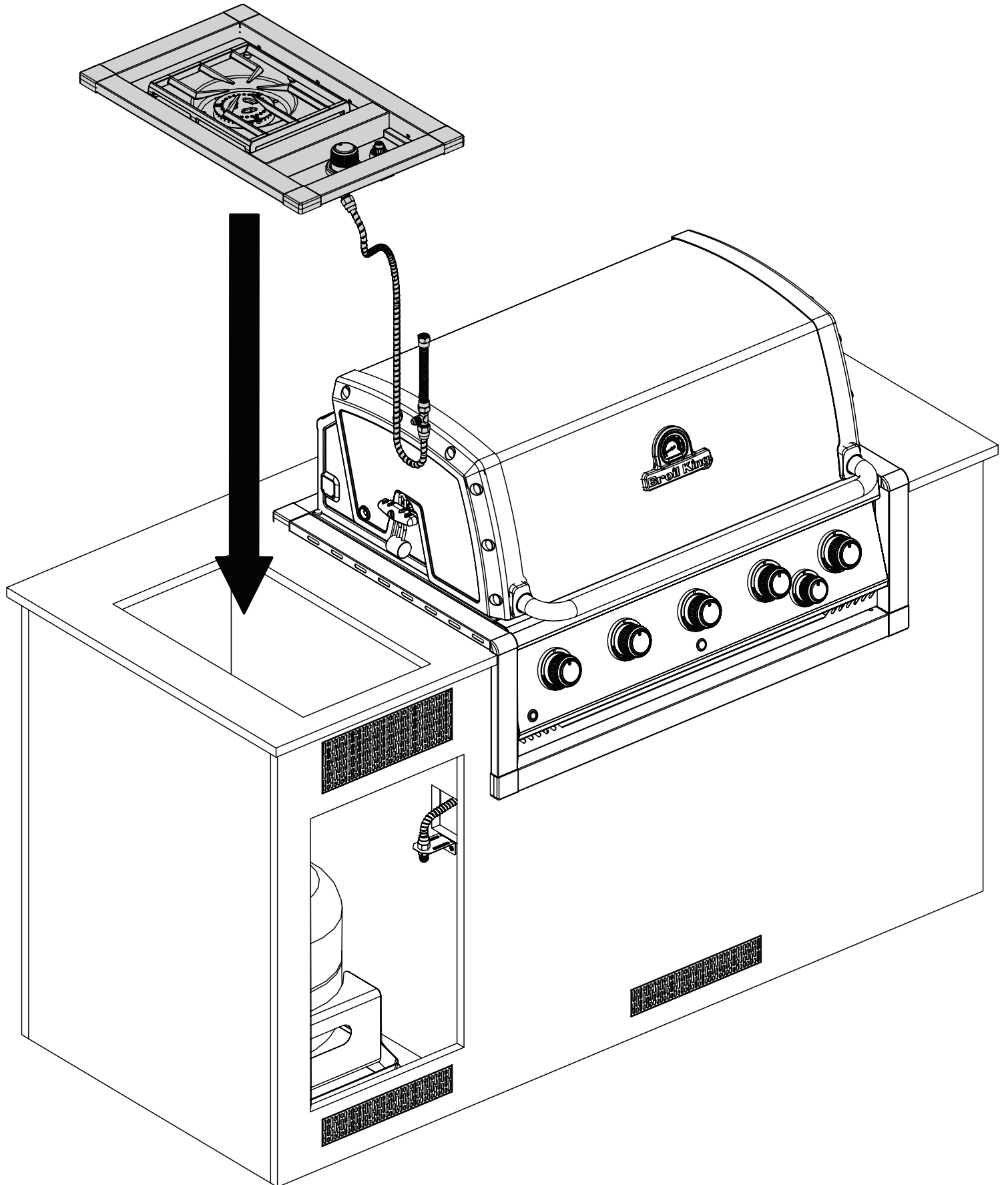
Onward
MANUFACTURING COMPANY LIMITED
SINCE 1906
585 KUMPF DRIVE
WATERLOO, ONTARIO, CANADA
N2V 1K3

70084-S100EU REV B 02/23

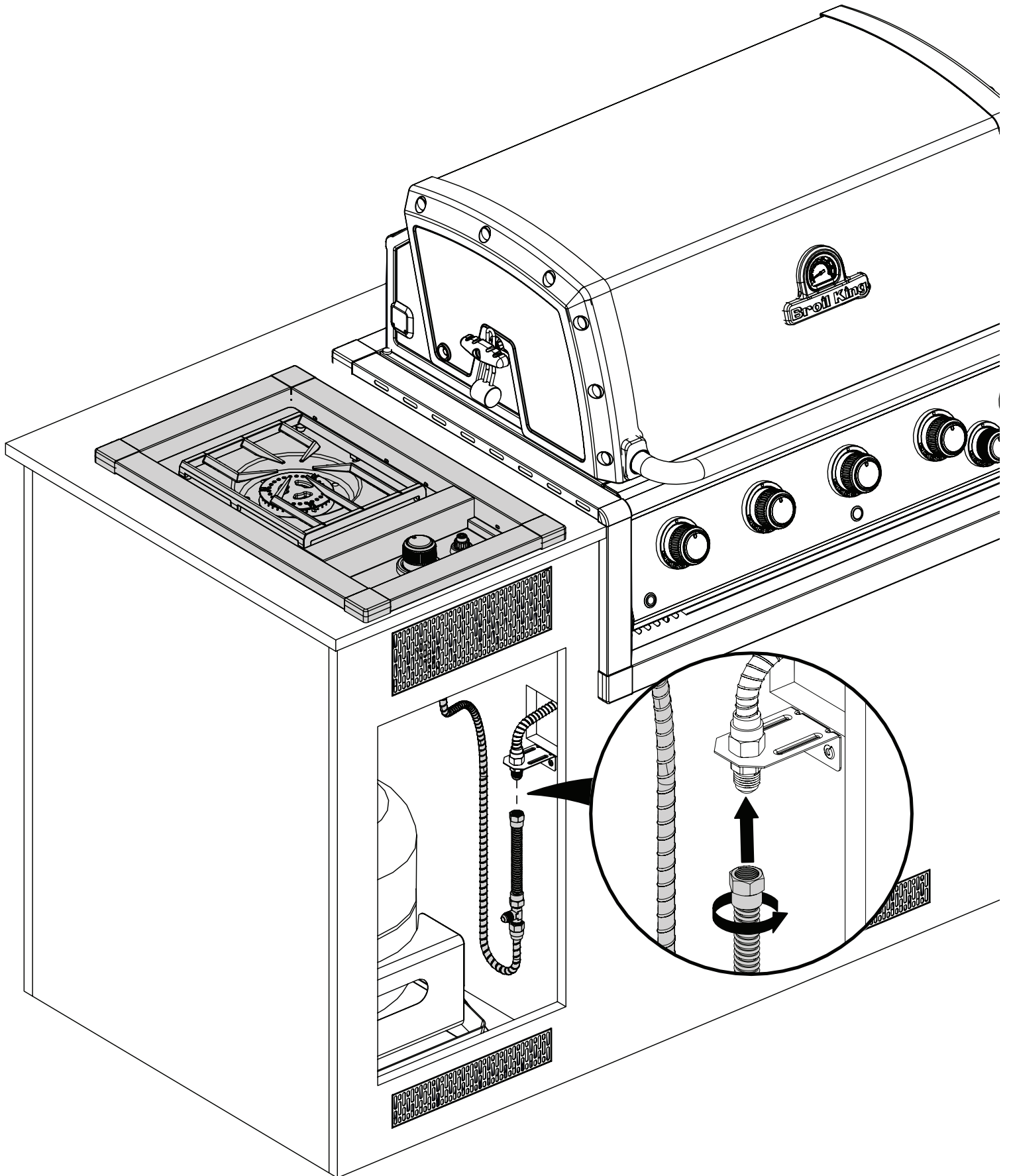
1



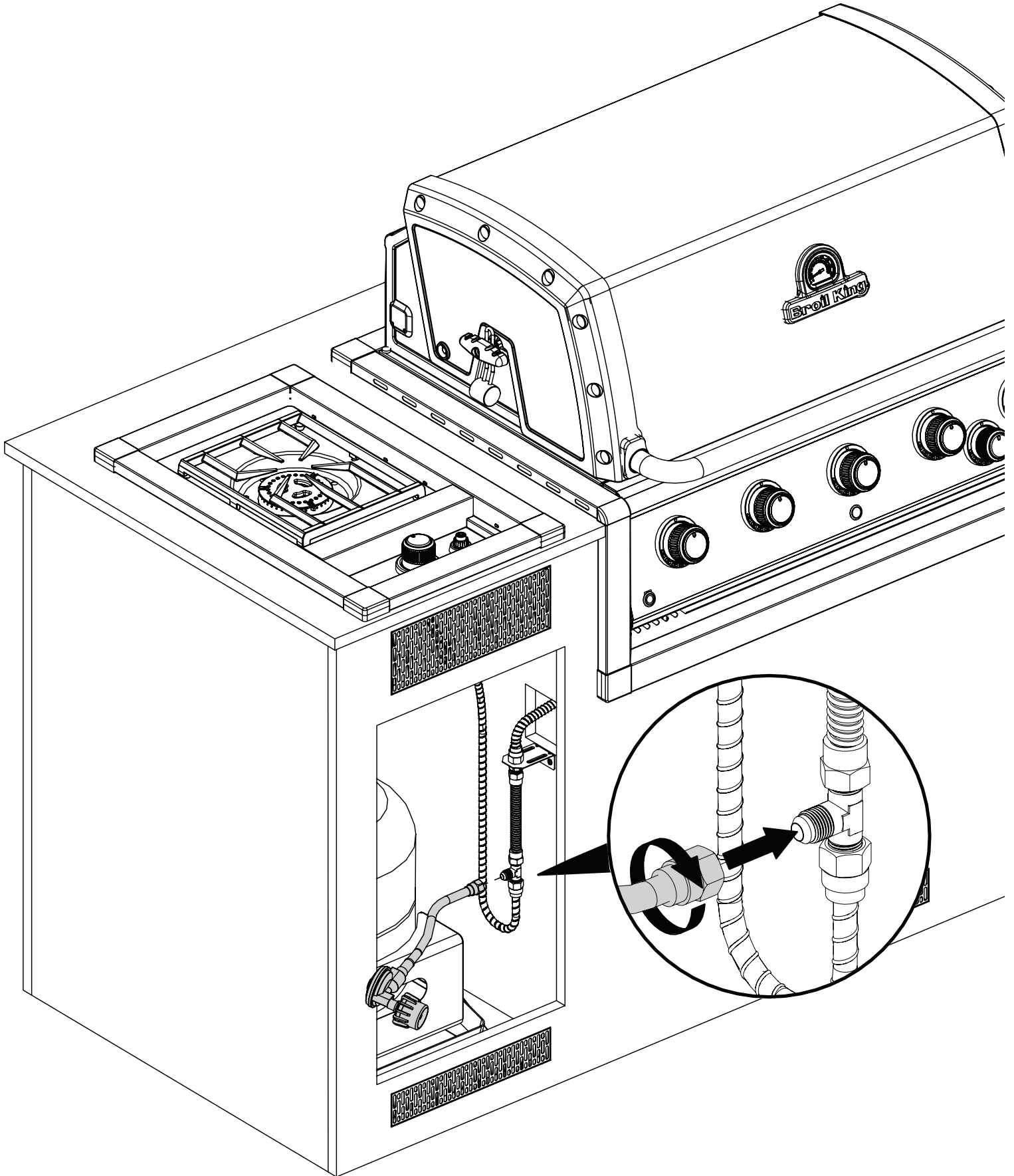
2



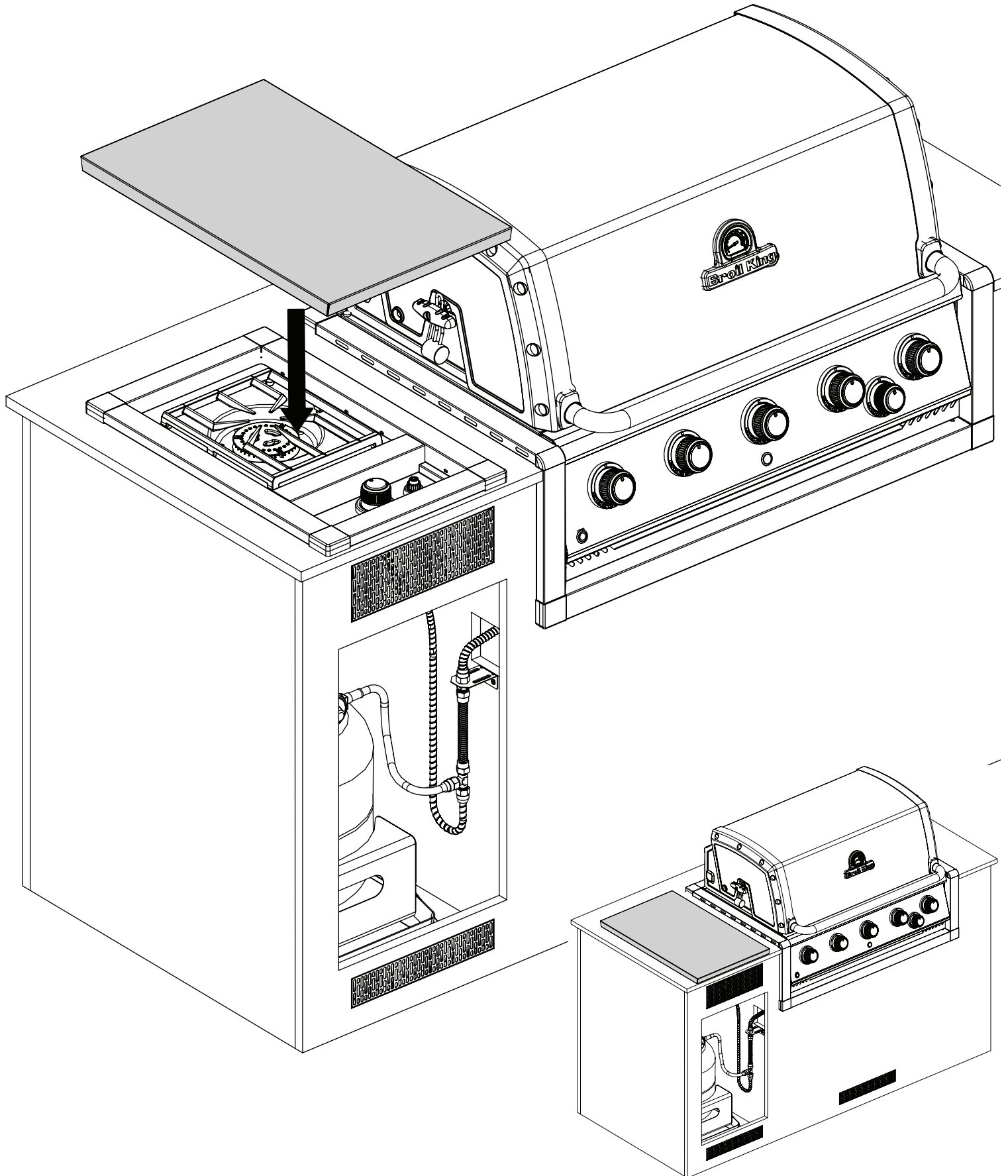
3



4



5



PARTS LIST

<u>KEY #</u>	<u>ITEM #</u>	<u>DESCRIPTION</u>	<u>802762</u>	<u>802763</u>	<u>802763PL</u>	<u>802766</u>
1	73009-103A	TRIM ASSEMBLY	1	1	1	1
2	73170-023	FRONT / REAR TRIM	2	2	2	2
3	73149-213	SIDE TRIM	2	2	2	2
4	73131-233	DIVIDER TRIM	1	1	1	1
5	73139-233	CONTROL COVER	1	1	1	1
6	Y-12130	CORNER CAP - 90 DEGREE	4	4	4	4
7	22001-164	CONTROL BEZEL	1	1	1	1
8	22001-668	CONTROL KNOB	1	1	1	1
9	23000-271	SIDE BURNER BODY	1	1	1	1
10	23009-99	GRID	1	1	1	1
11	73001-203	SIDE BURNER LID	1	1	1	1
12	10390-R50A	SIDE BURNER	1	1	1	1
13	70791-E202	VALVE ASSEMBLY - DE	1	•	•	•
	70791-E203	VALVE ASSEMBLY - EU	•	1	•	•
	70791-E203PL	VALVE ASSEMBLY - PL	•	•	1	•
	70791-E216	VALVE ASSEMBLY - NG	•	•	•	1
14	10153-27A	SPLITTER HOSE ASSEMBLY	1	1	1	1
15	10342-244	ELECTRONIC IGNITOR	1	1	1	1
16	10342-T14	ELECTRODE WIRE	1	1	1	1
17	Y-11230	COTTER PIN	1	1	1	1
20	Y-29301	SCREW - #10-24 X 1/2	8	8	8	8
21	Y-29304S	SCREW - #10-24 X 3/8	4	4	4	4
22	S21127S	SCREW - #8-32 X 7/16	2	2	2	2
23	Y-12835	SCREW - M4 X 0.7	3	3	3	3

