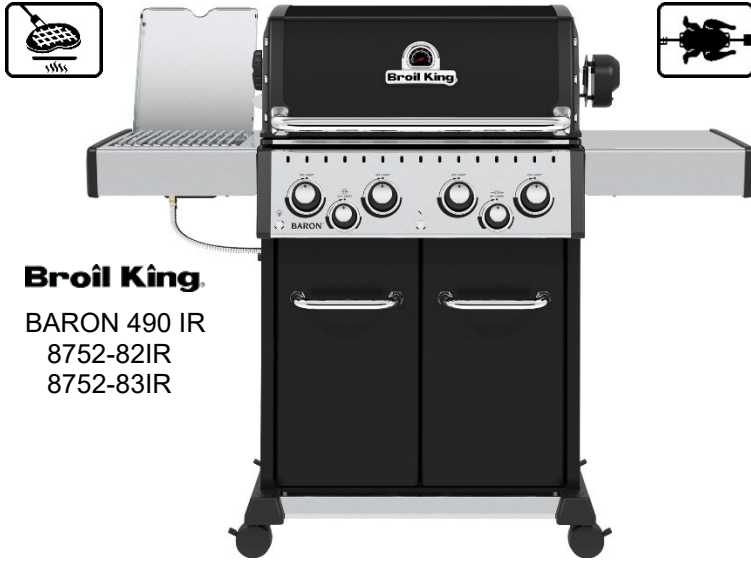


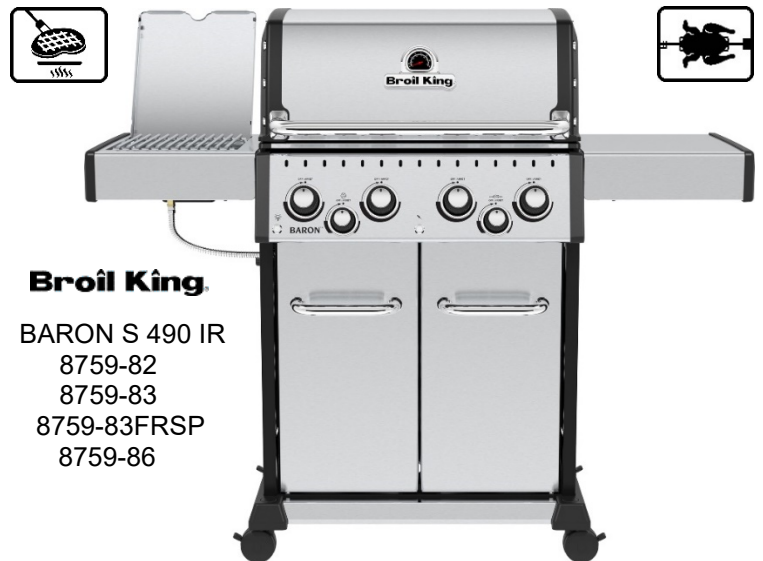
Broil King®



Broil King.
BARON 490 IR
8752-82IR
8752-83IR


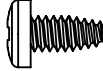
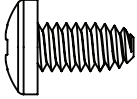
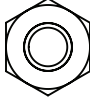
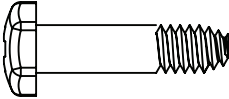

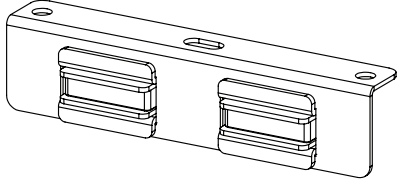
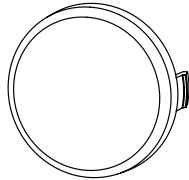
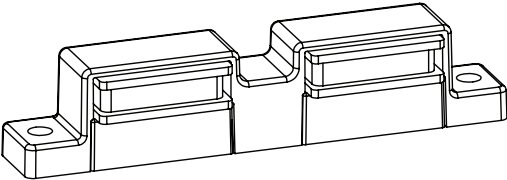
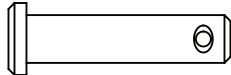
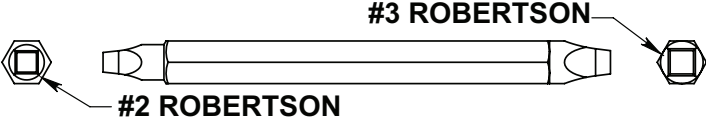
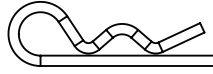



Broil King.
BARON S 440 IR
8759-62
8759-63

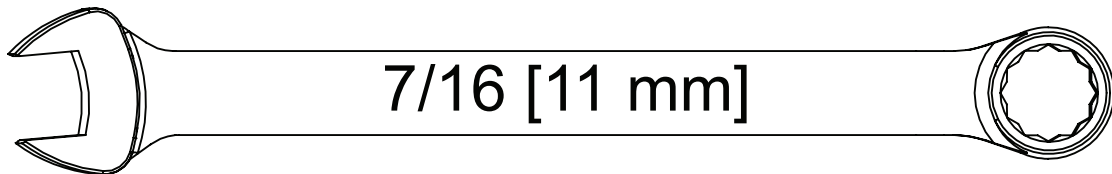


Broil King.
BARON S 490 IR
8759-82
8759-83
8759-83FRSP
8759-86

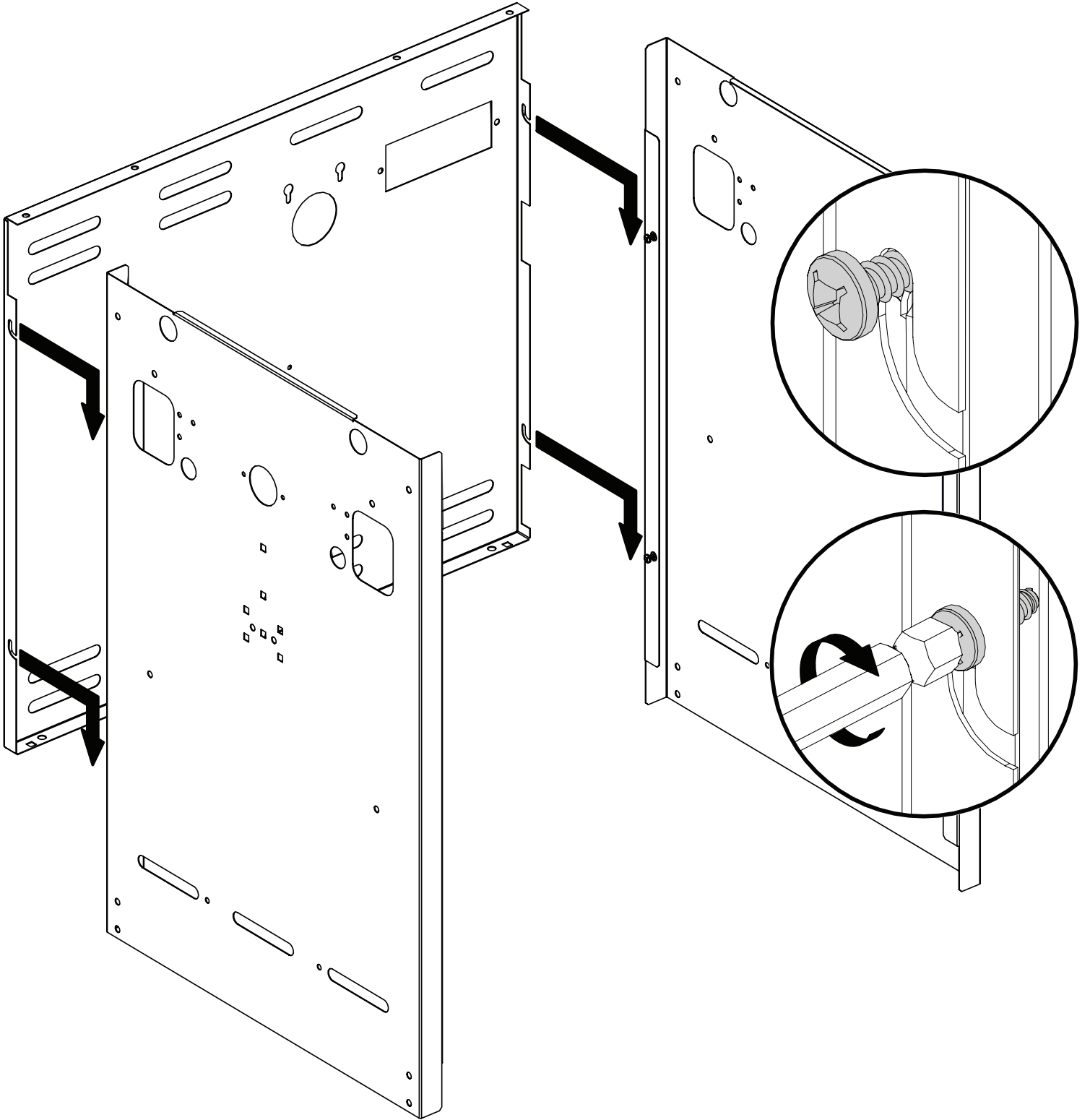
HARDWARE INCLUDED

S21124		(8)	Y-29304		(2)
Y-12865		(22)	Y-11793		(4)
Y-11551		(2)	Y-12124		(2)
56039-214A		(1)	Y-32001-151		(4)
Y-12229		(1)	S21235		(2)
 <p style="text-align: center;">#3 ROBERTSON</p> <p style="text-align: center;">#2 ROBERTSON</p>			S21233		(2)
20005-000					(1)

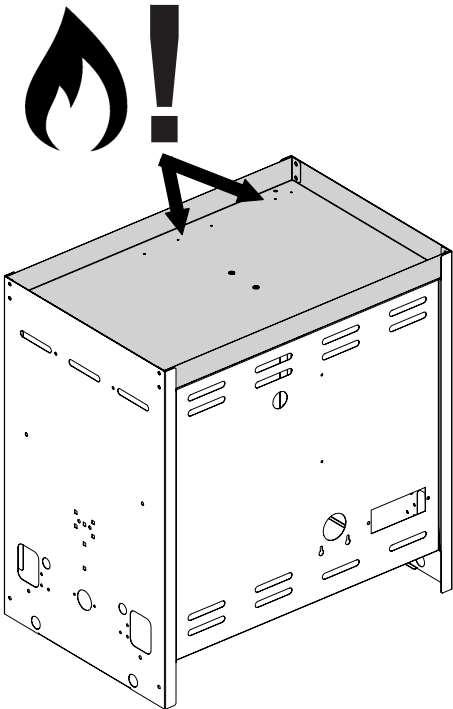
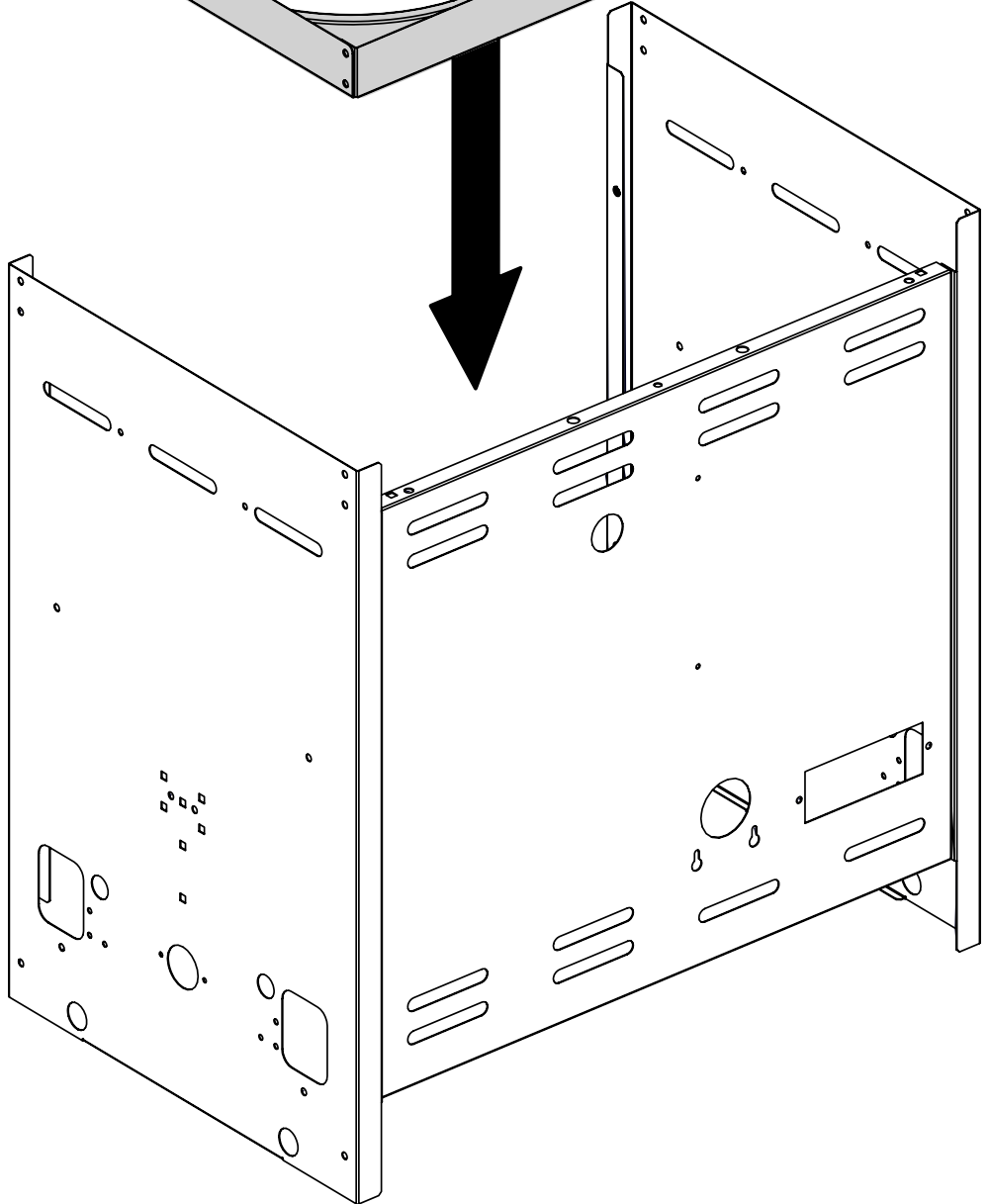
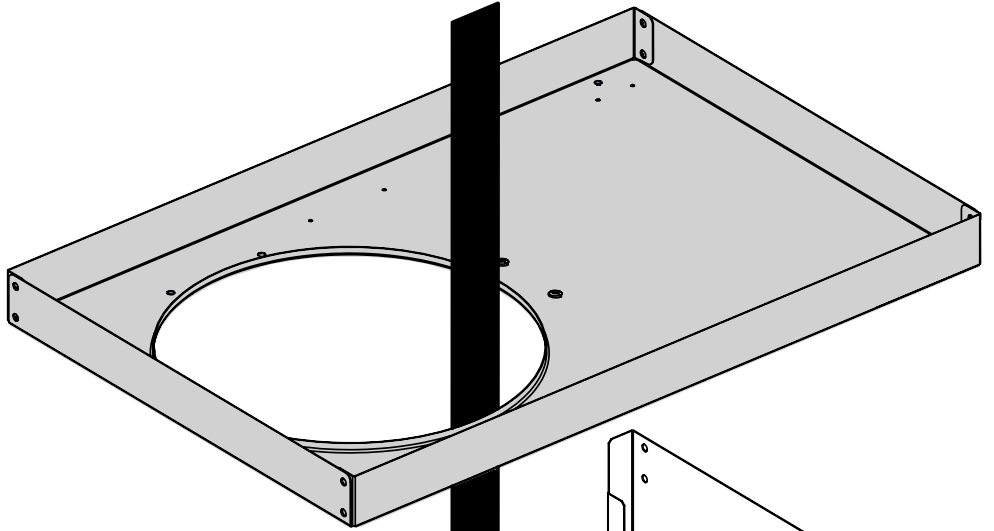
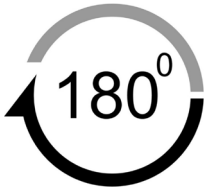
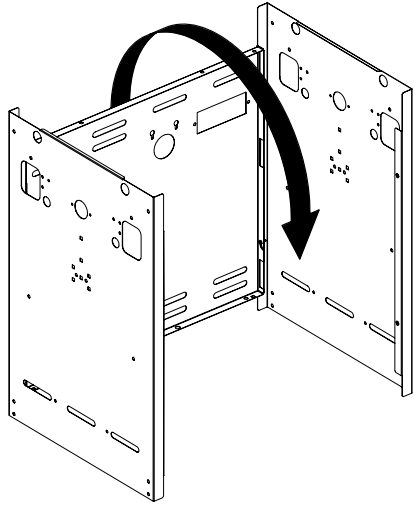
TOOLS REQUIRED




1

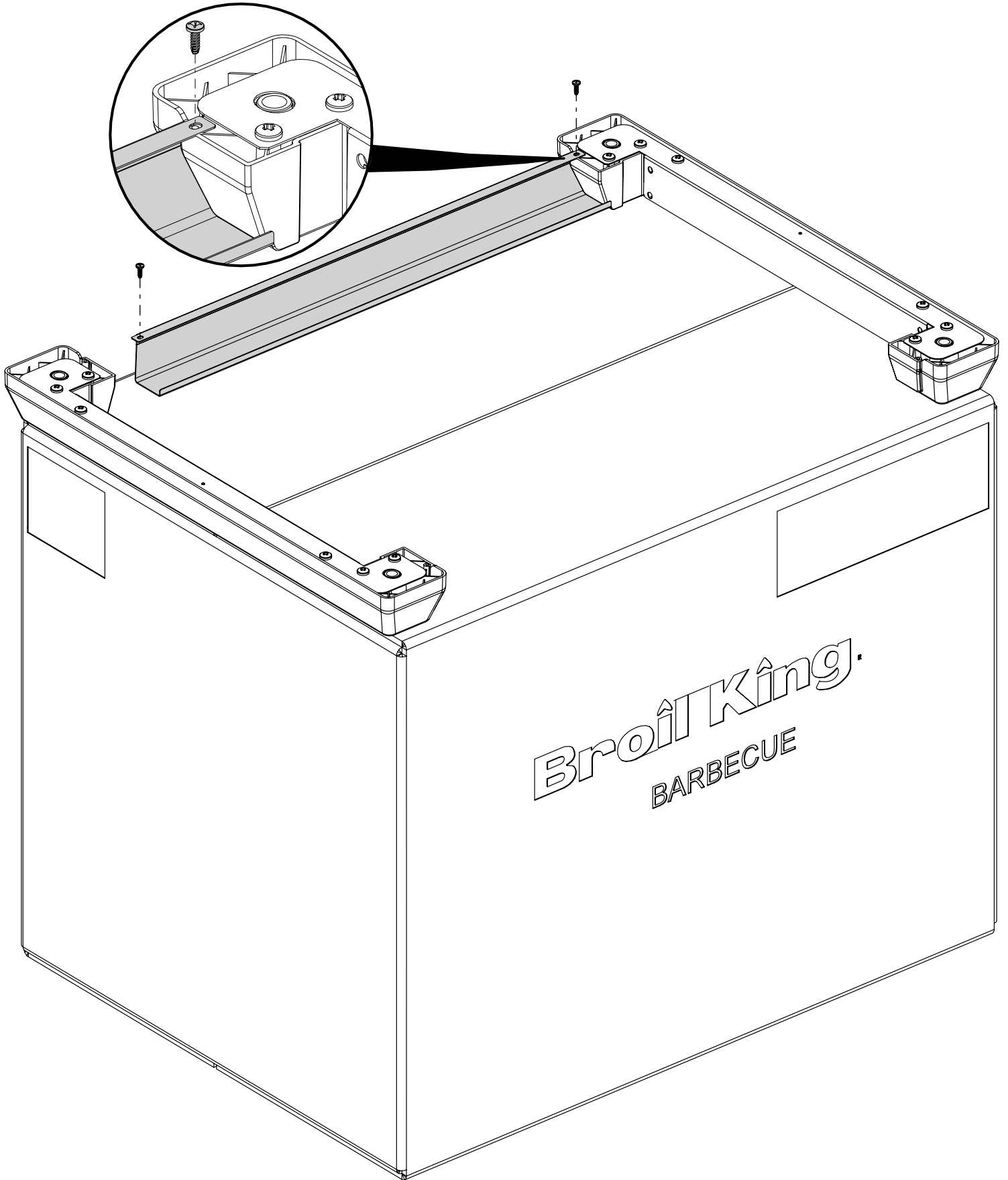


2



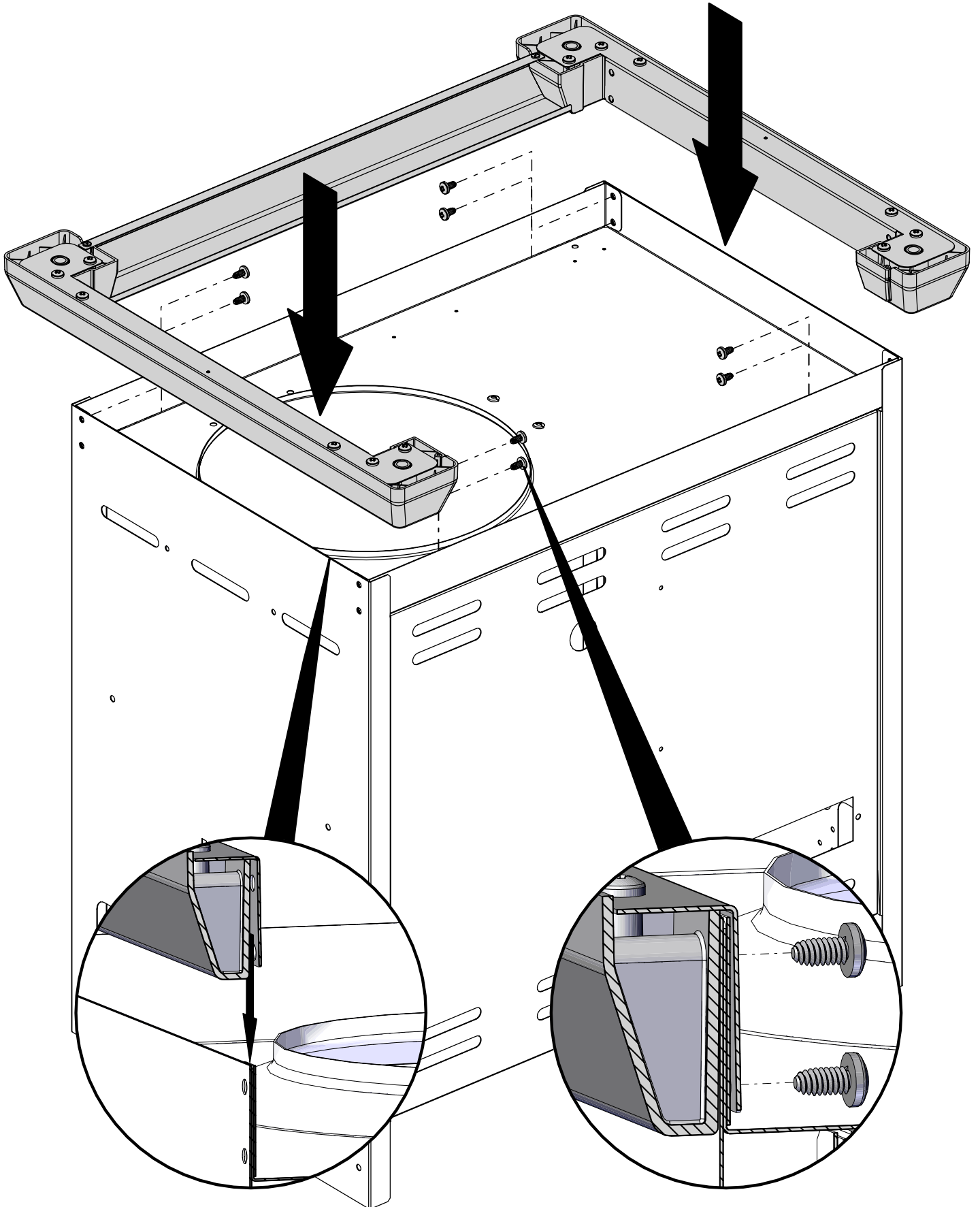
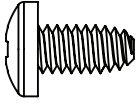
3

(2) 

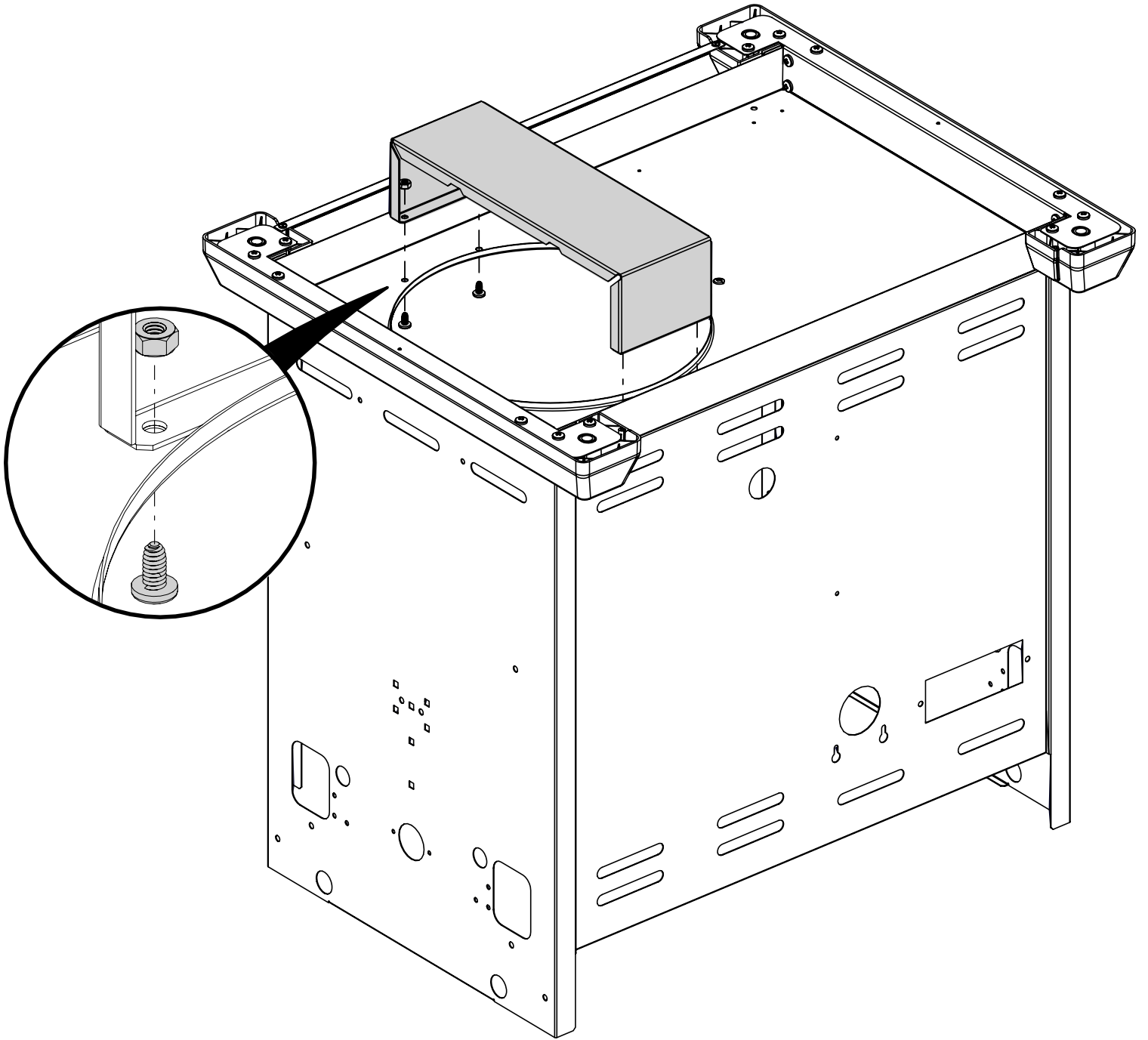
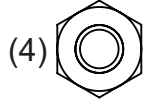
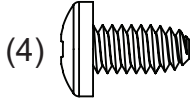


4

(8)

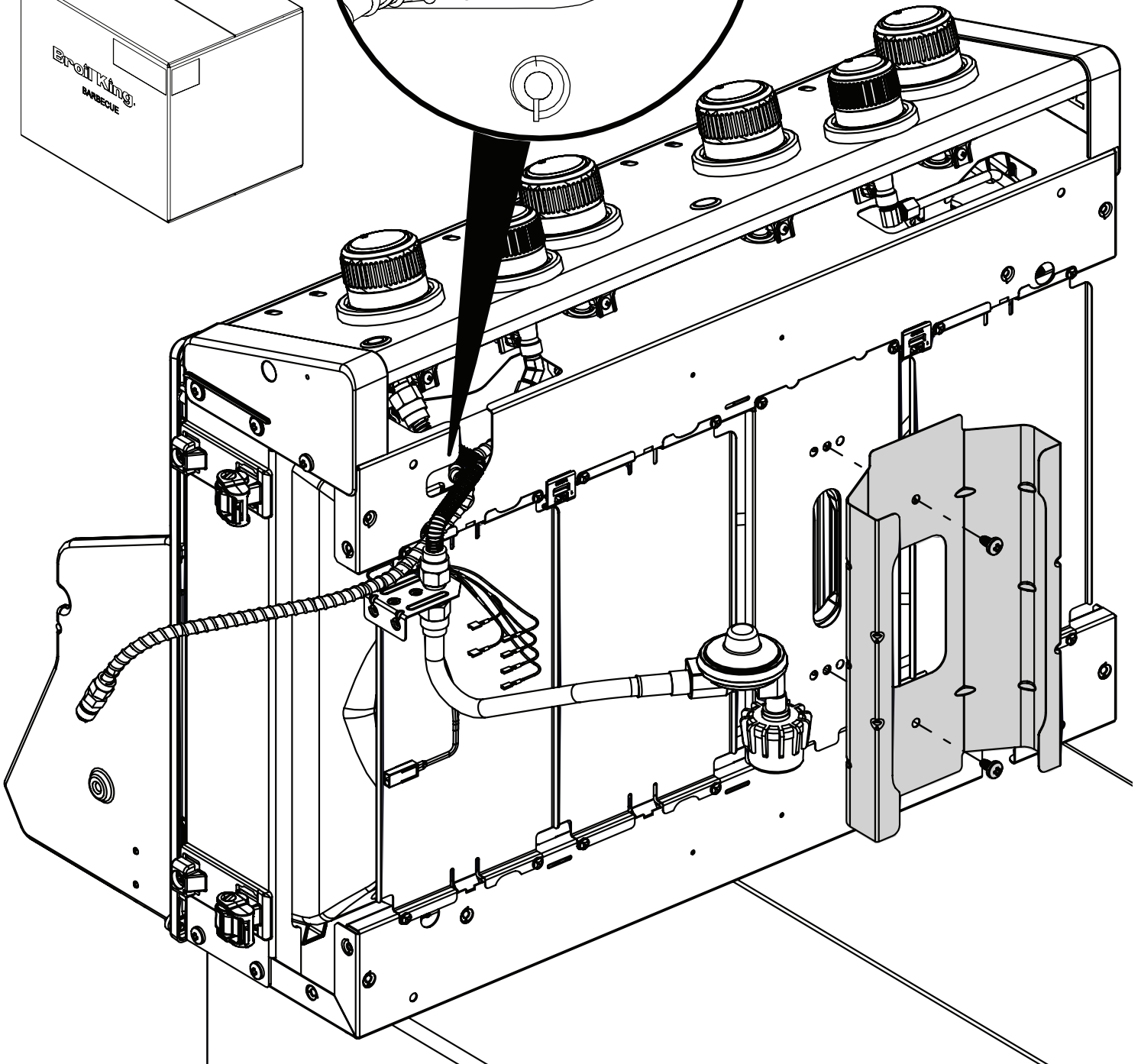
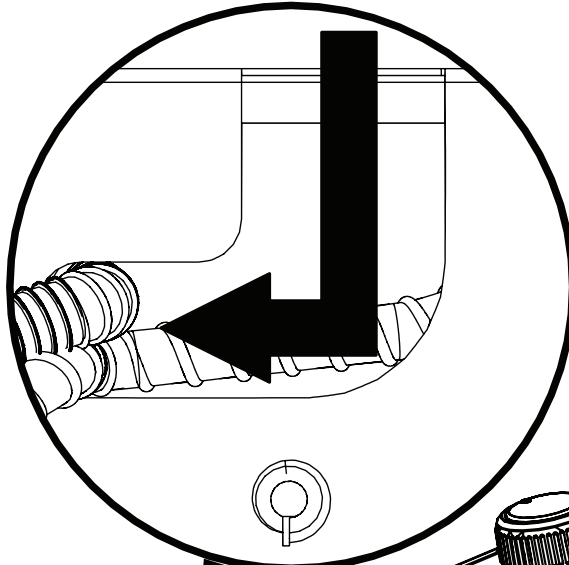
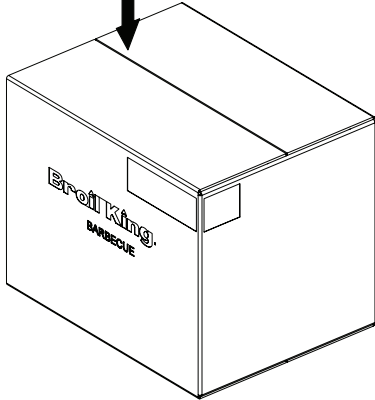
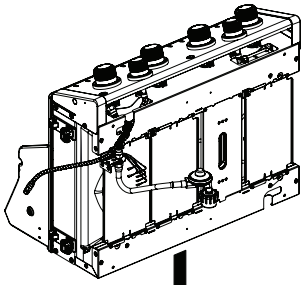
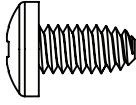


5



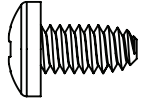
6

(2)

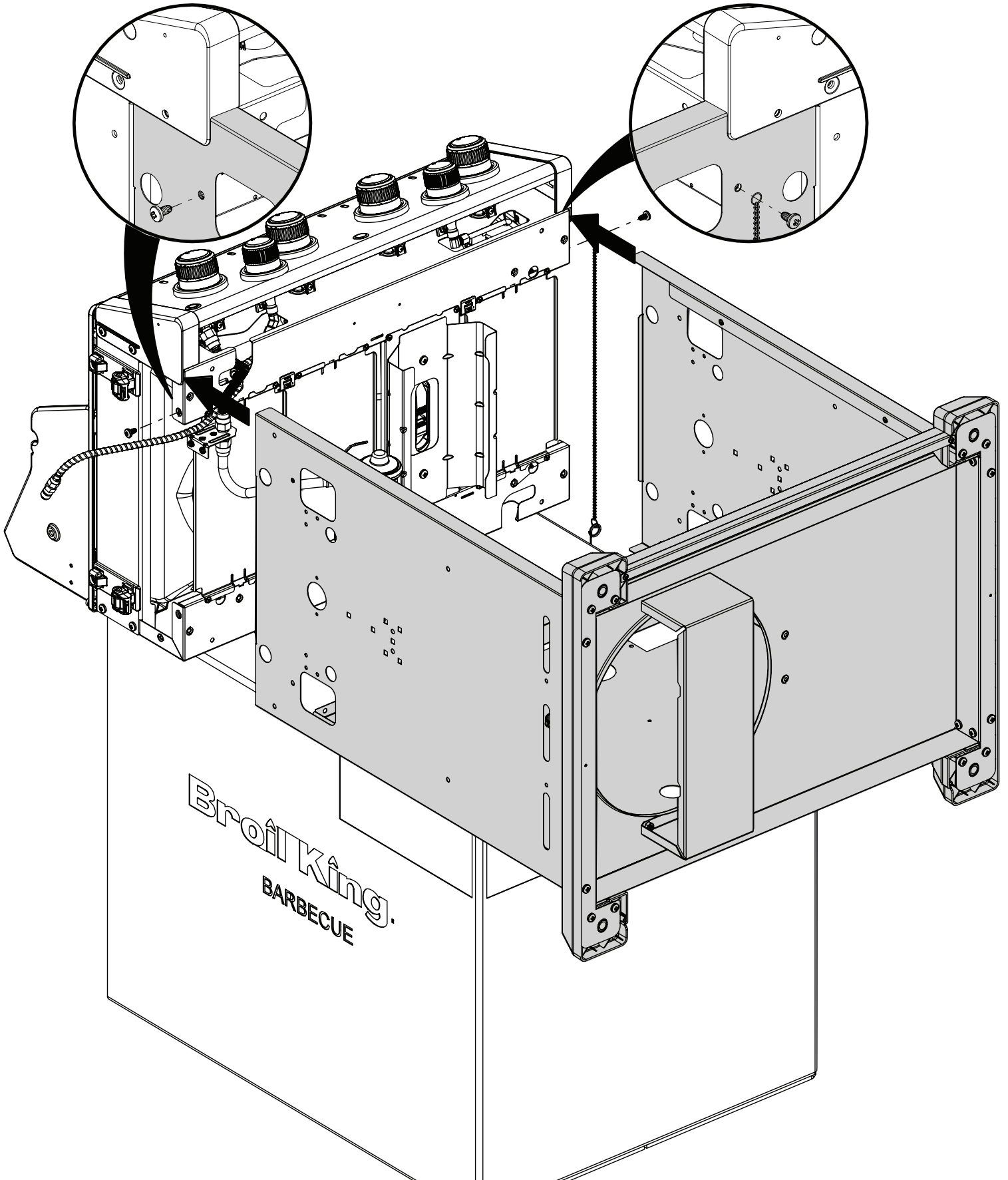


7

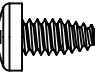
(2)

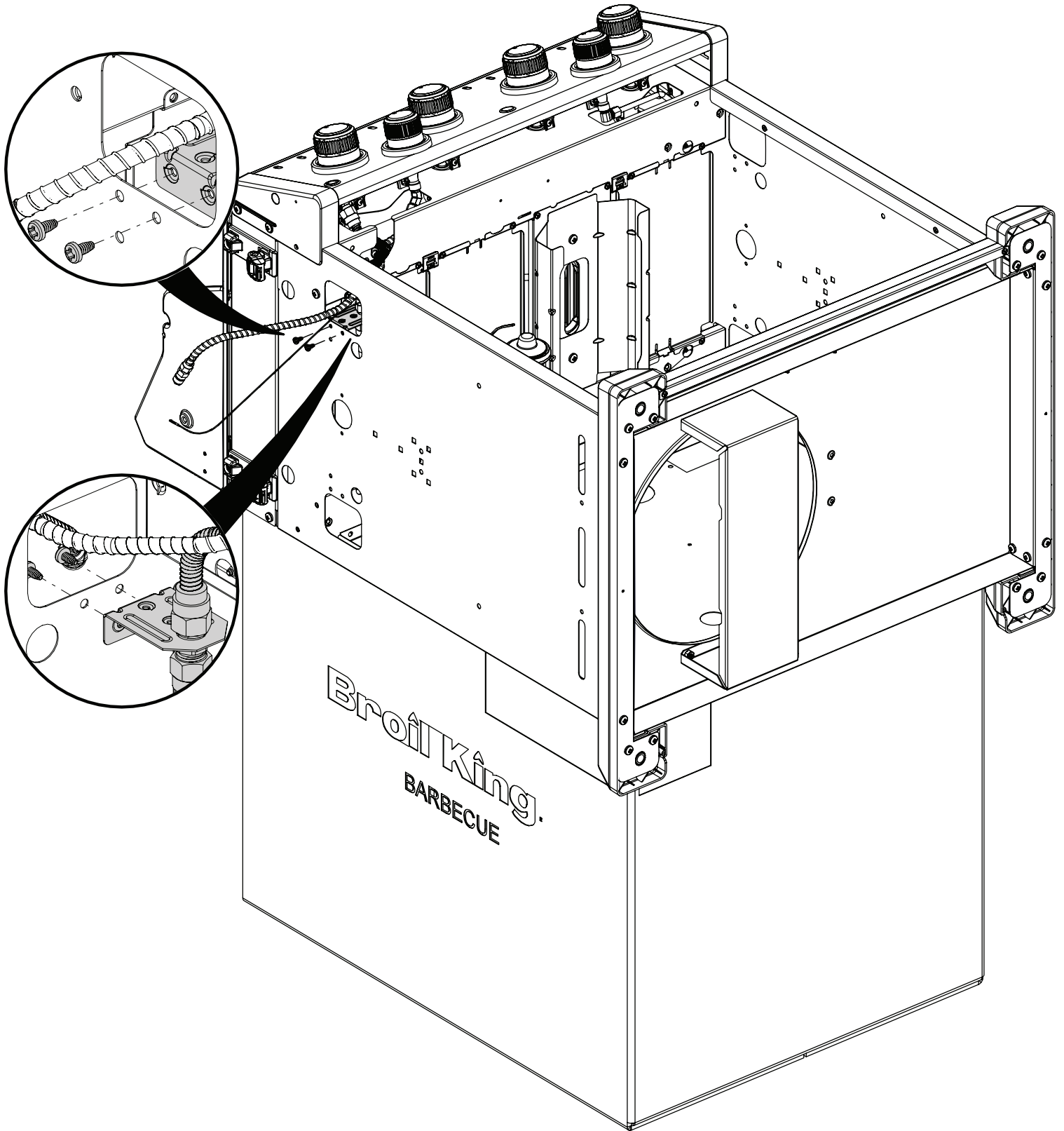


(1)

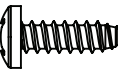


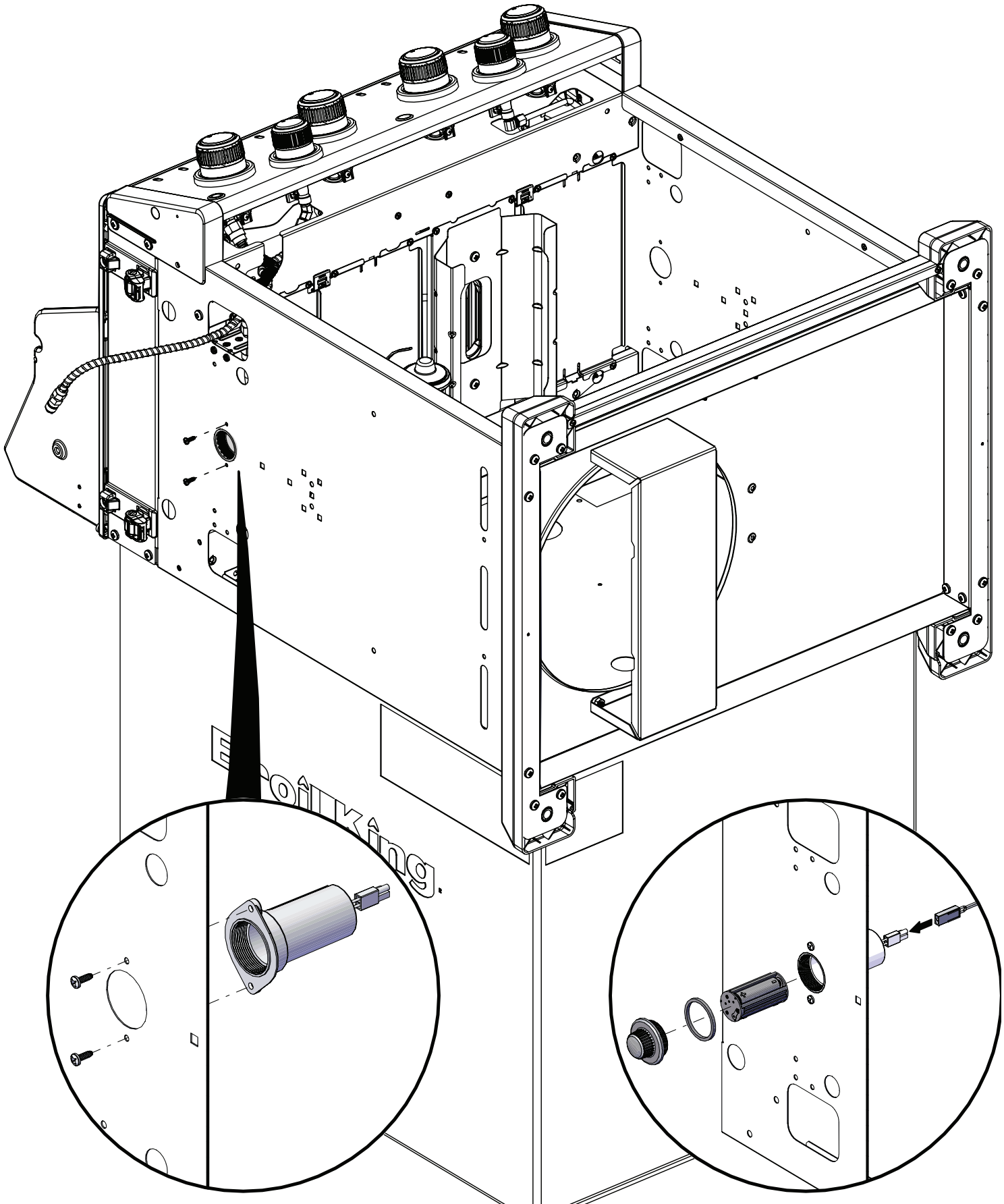
8

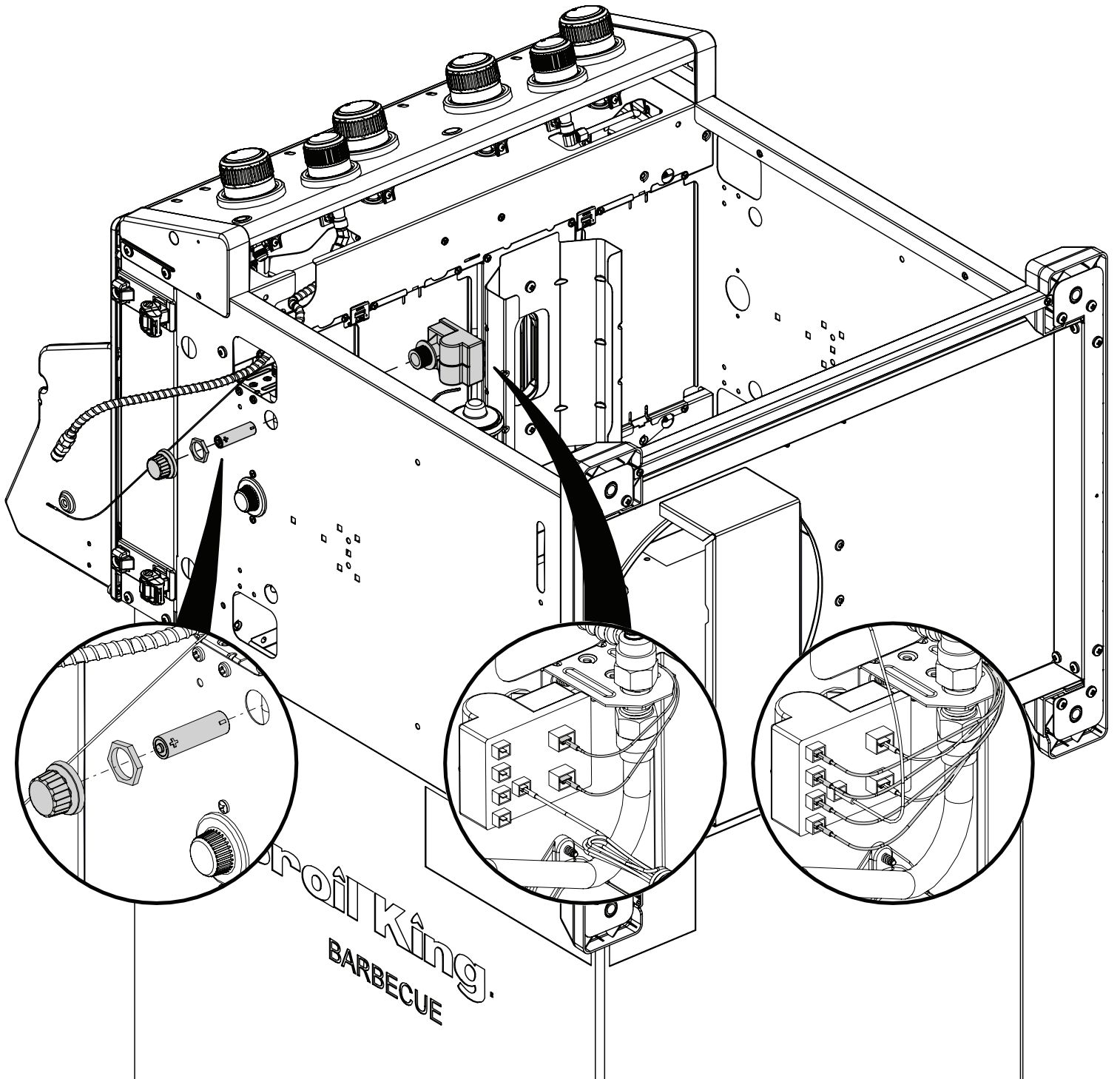
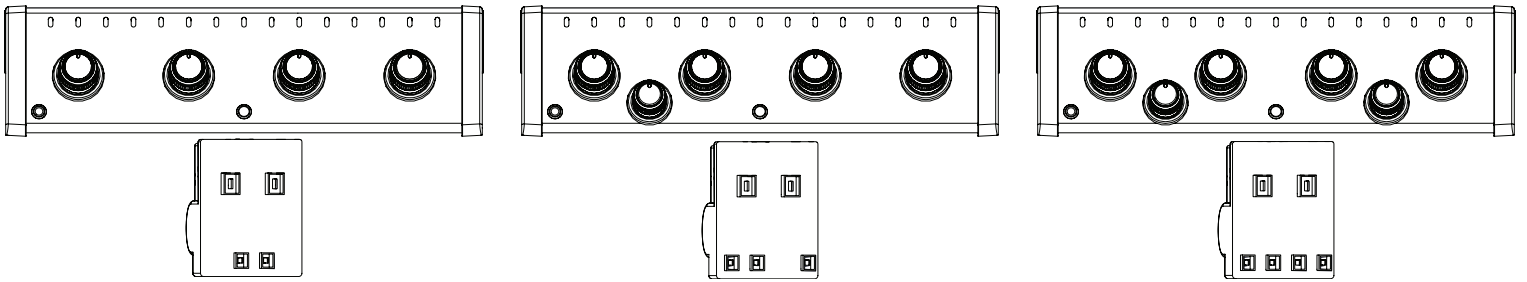
(2) 



9

(2) 

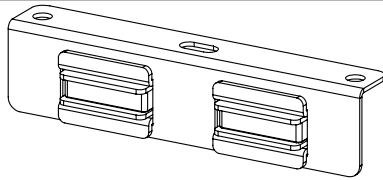




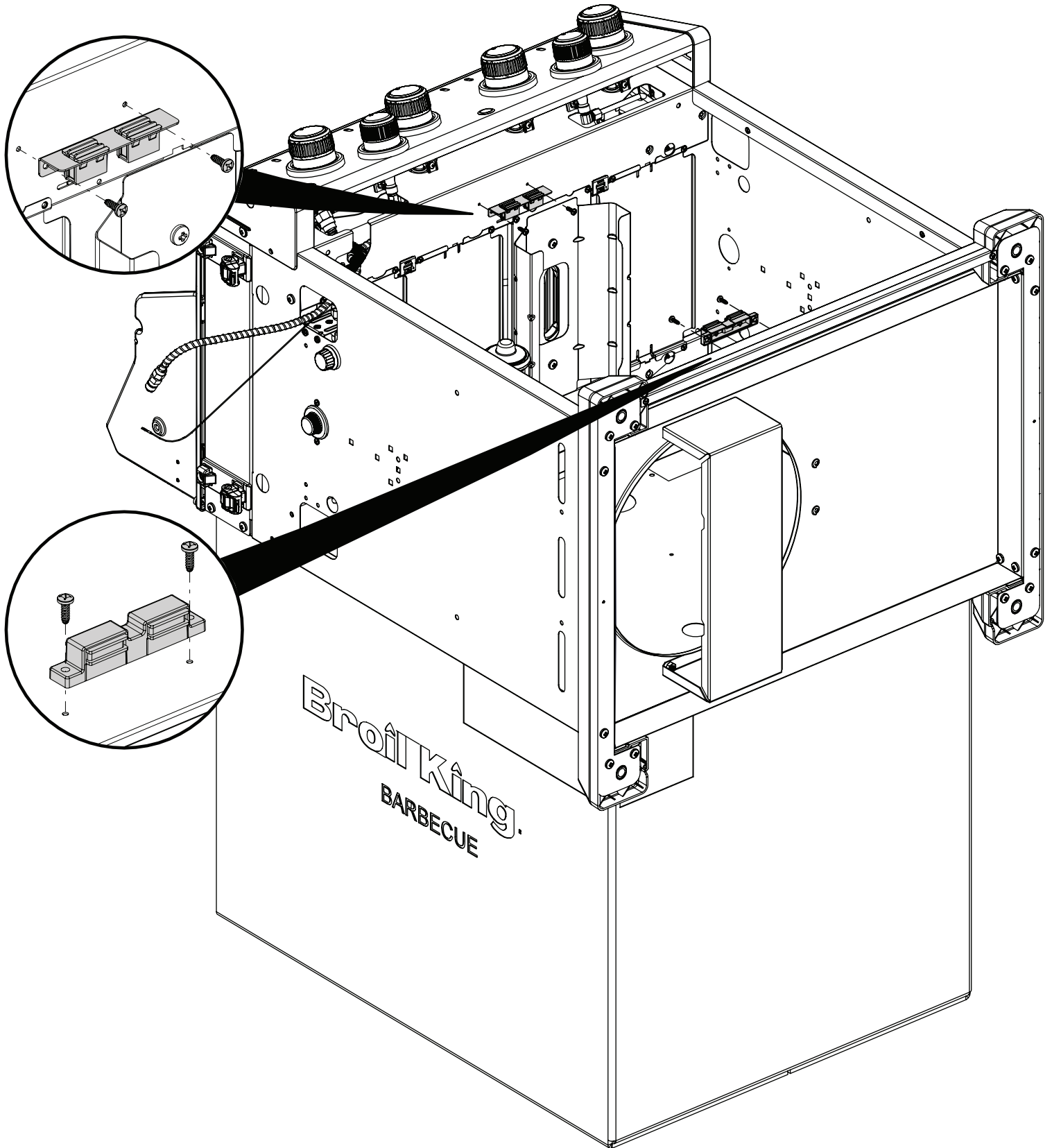
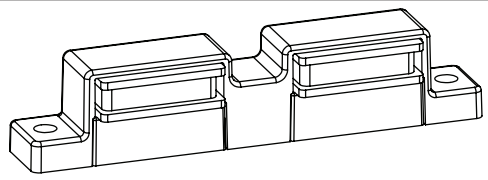
11

(4) 

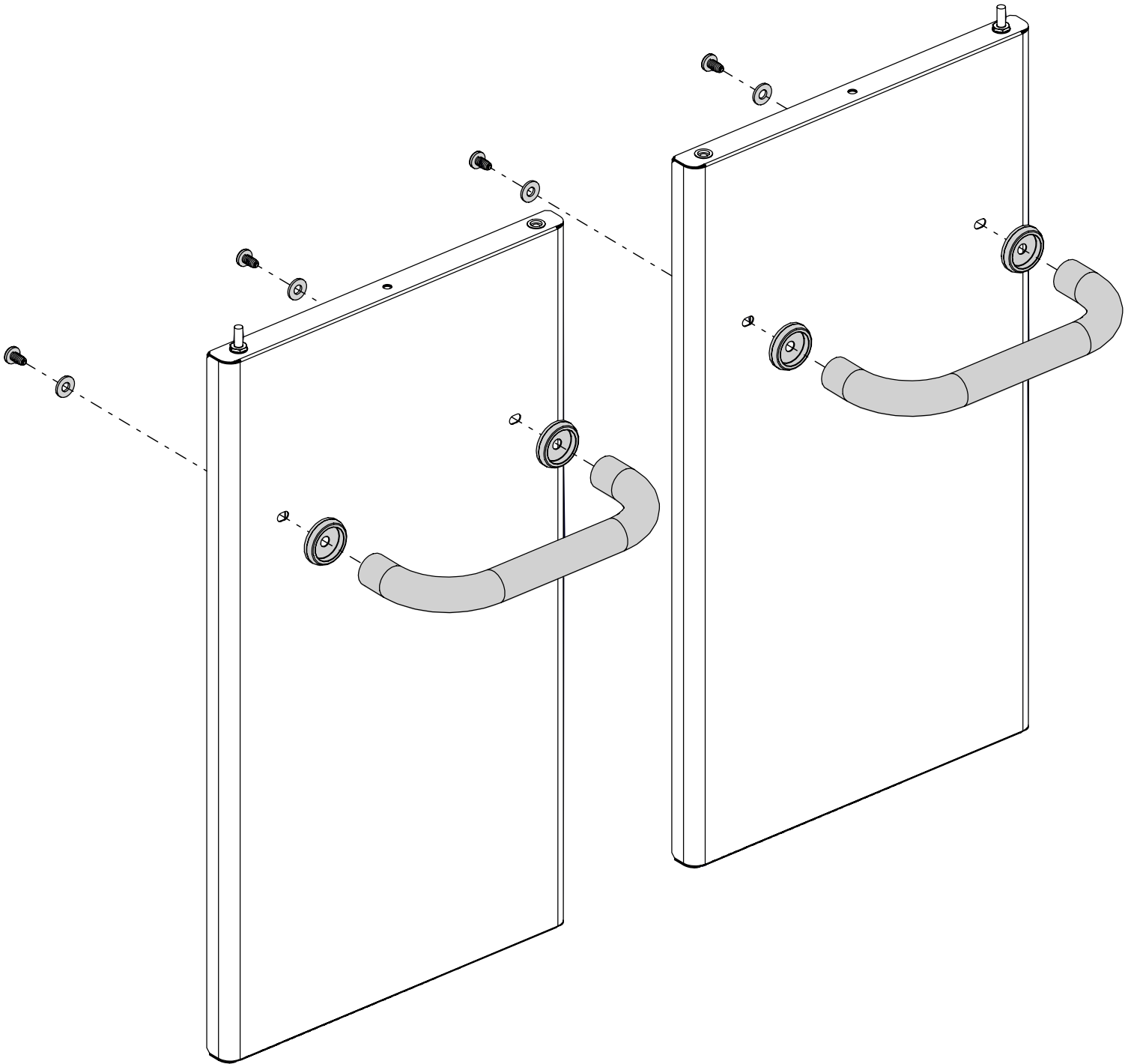
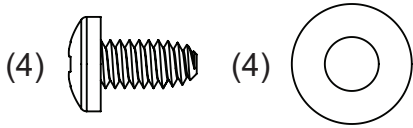
(1)



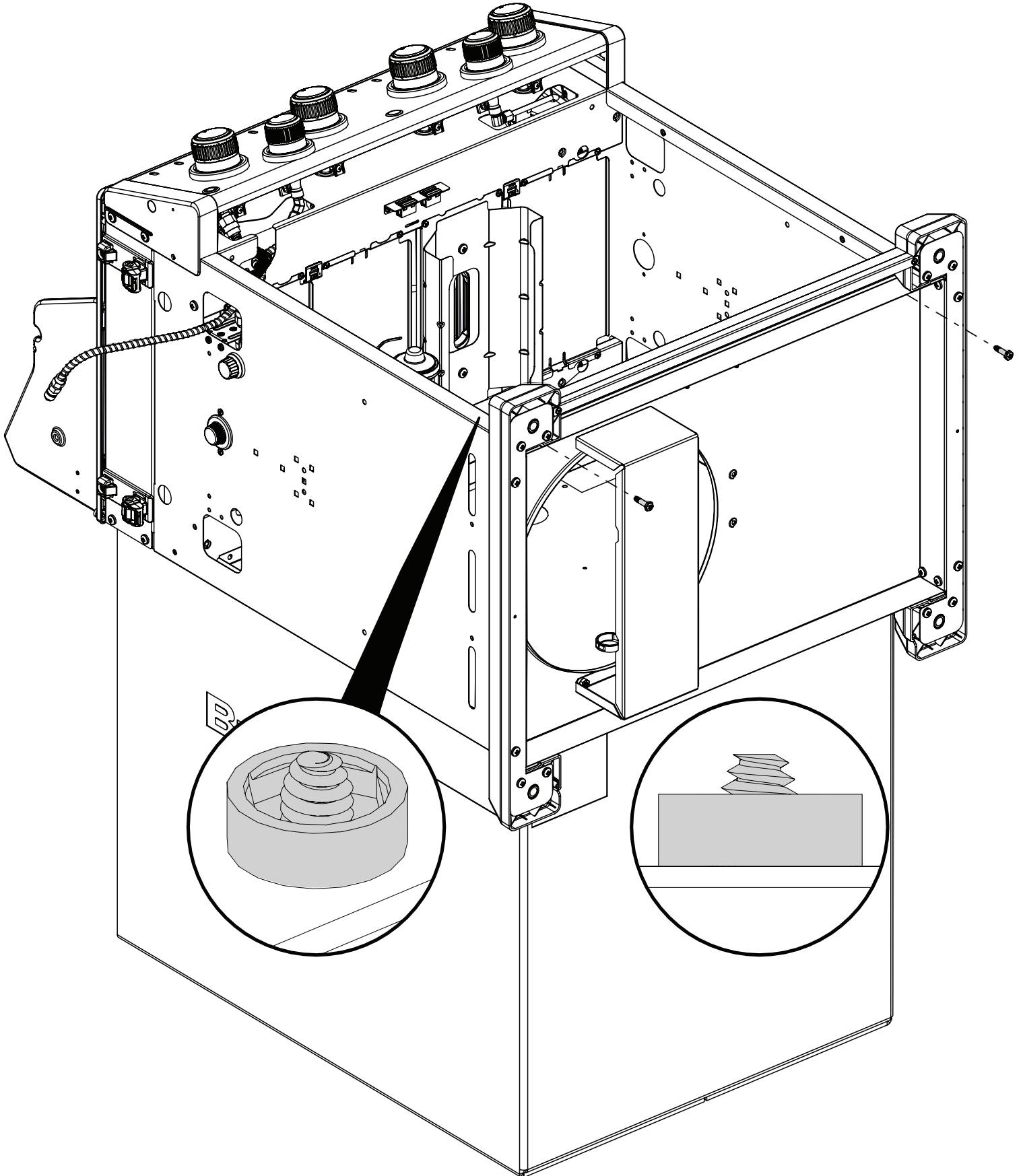
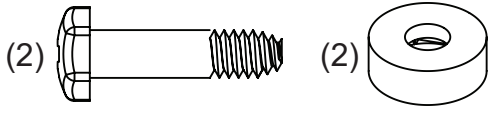
(1)

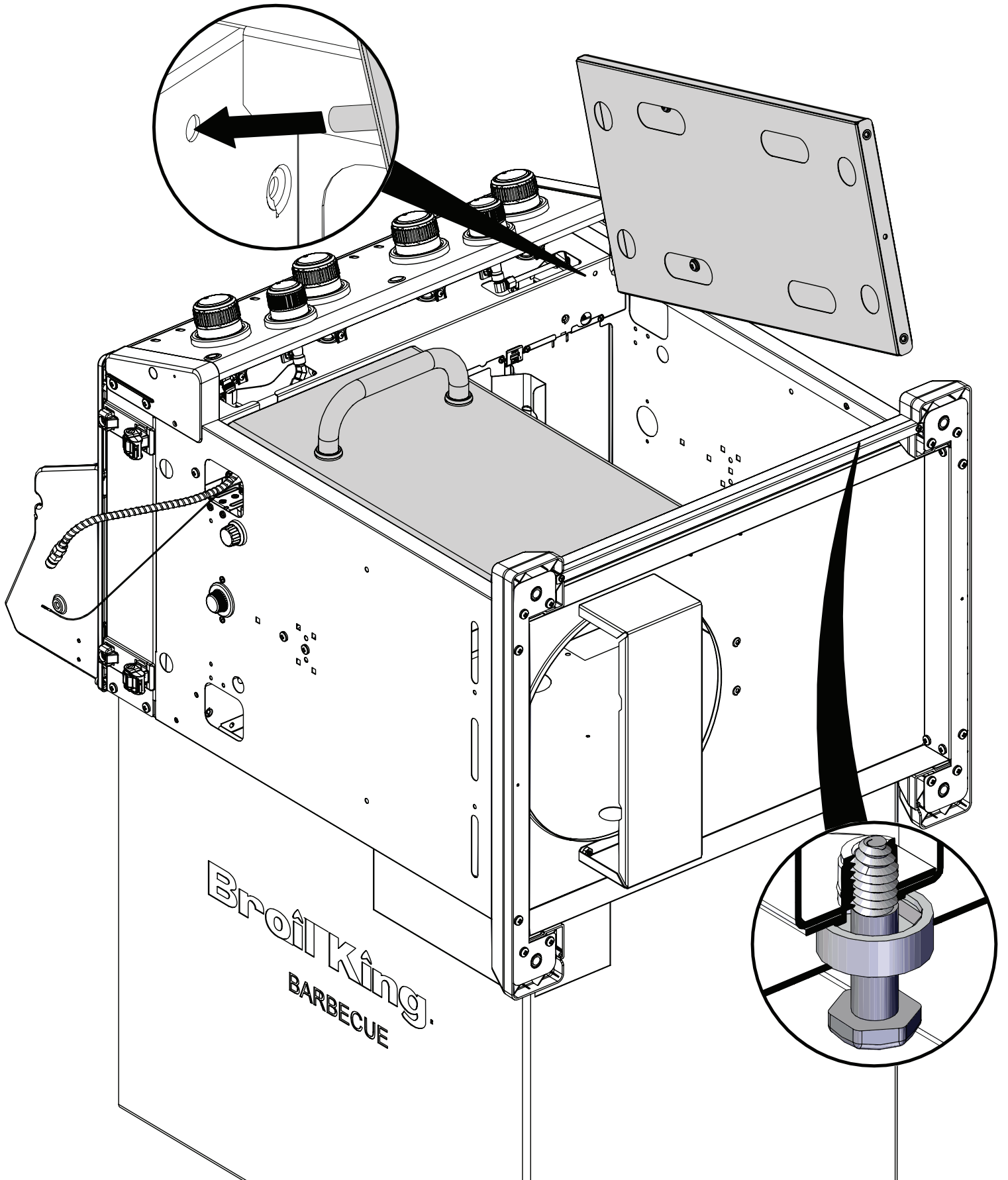


12



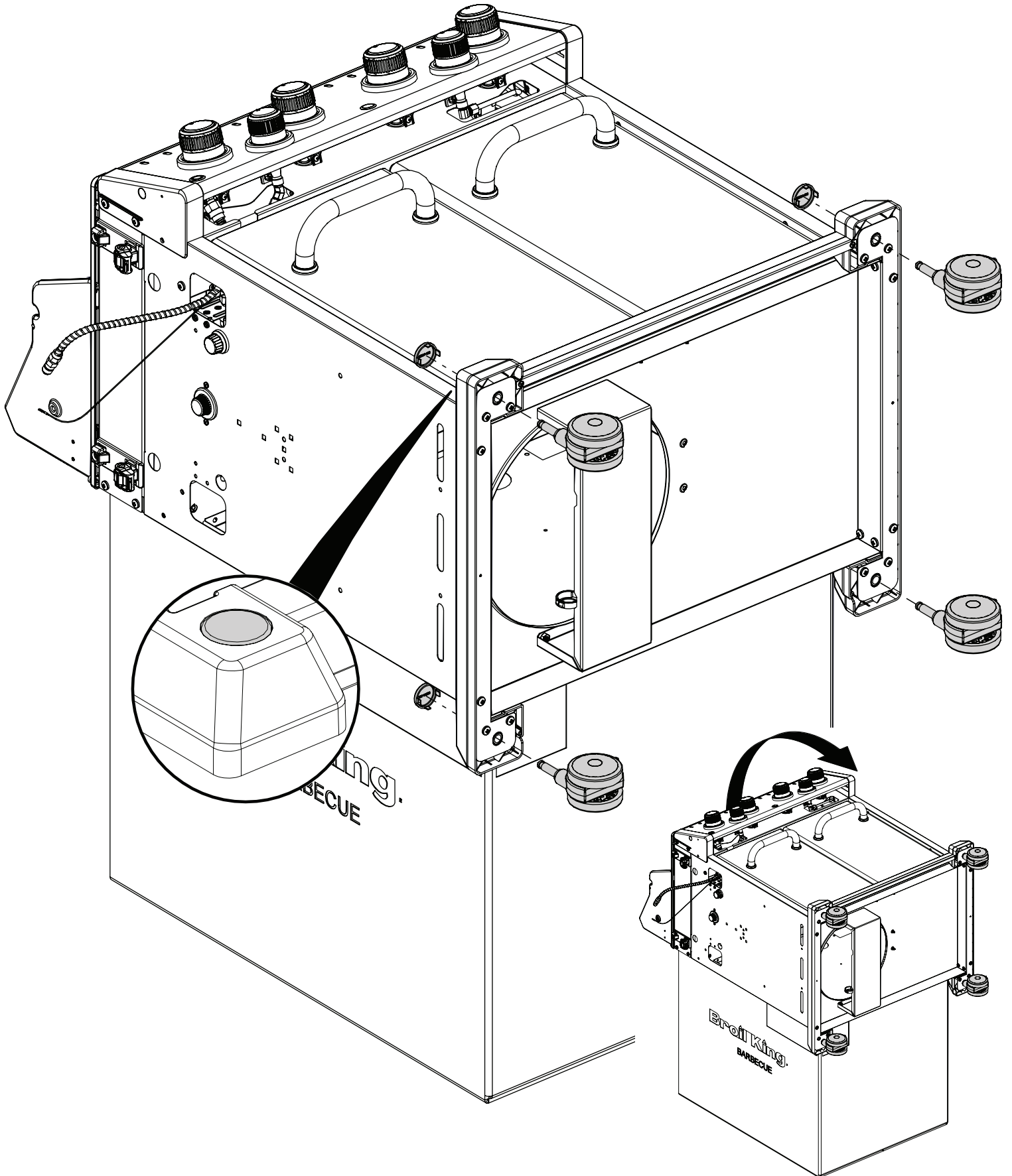
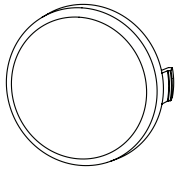
13





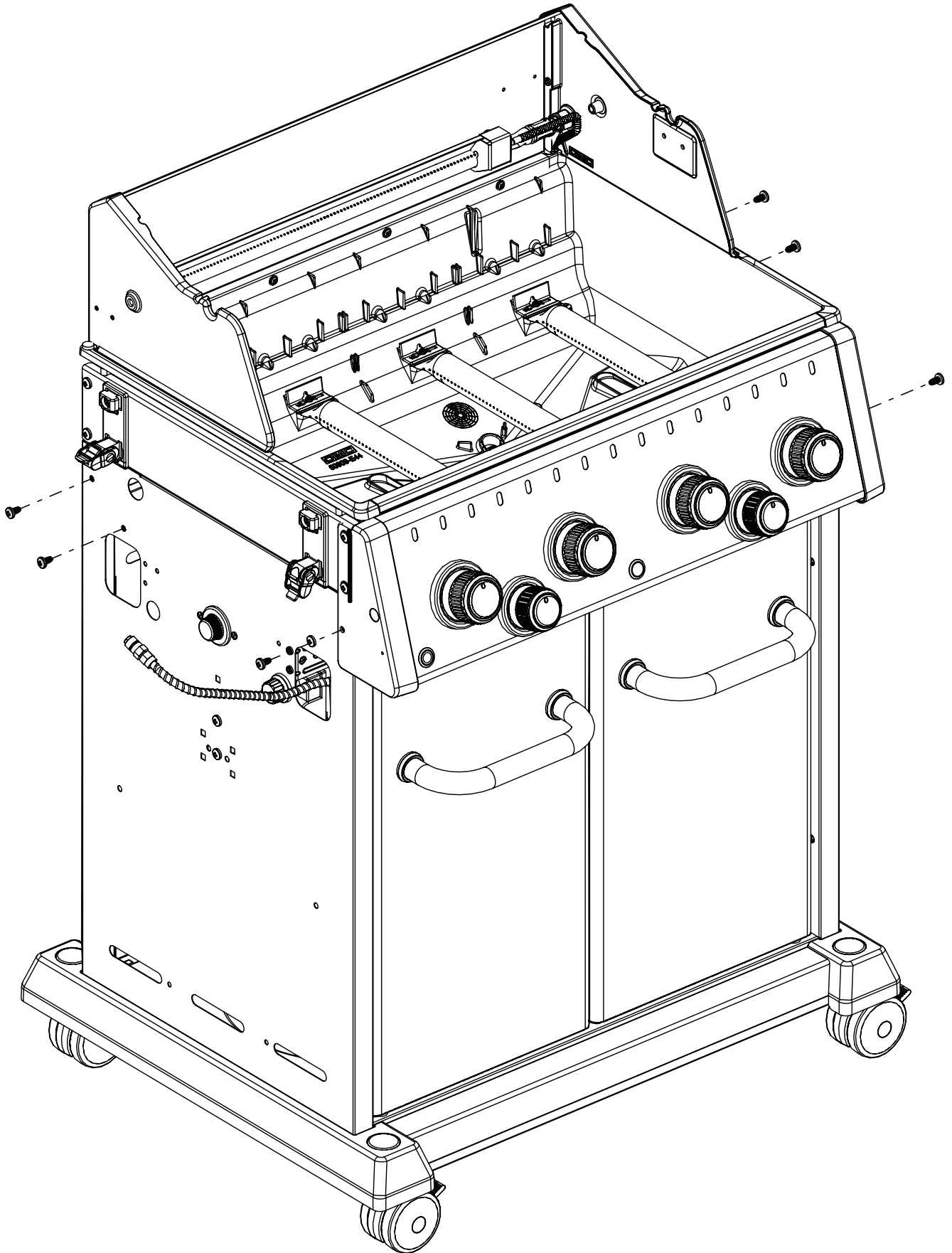
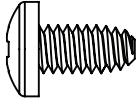
15

(4)

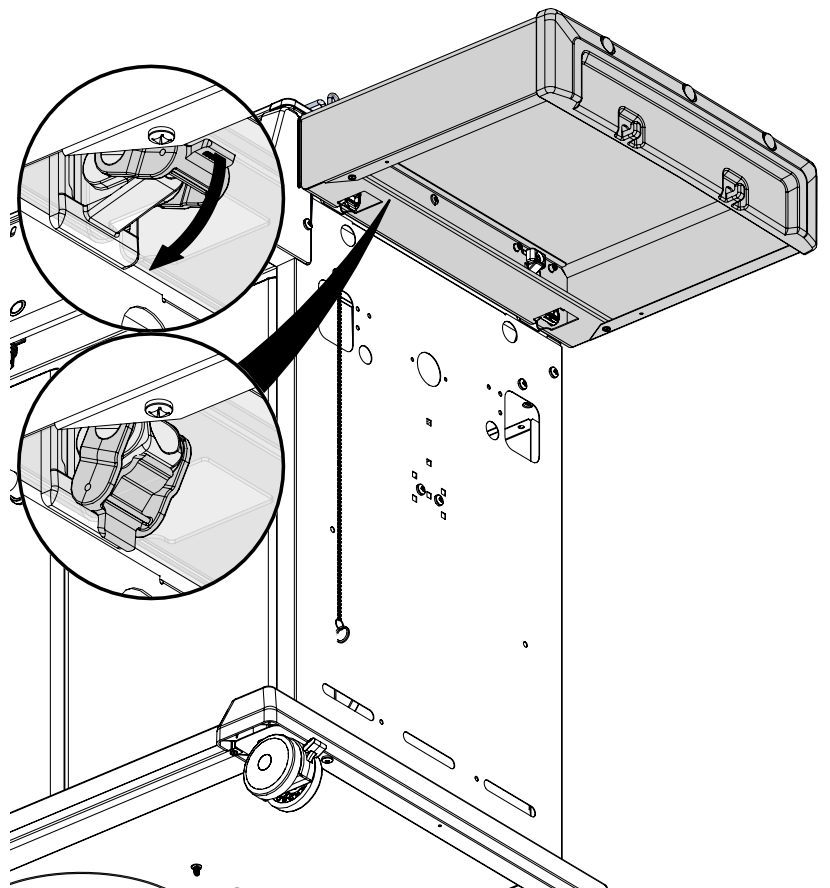
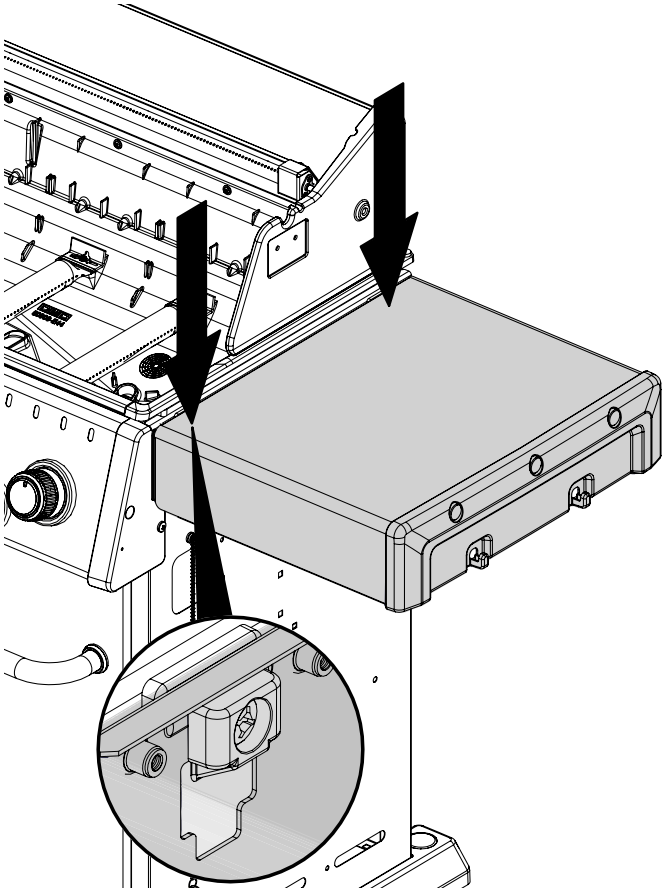
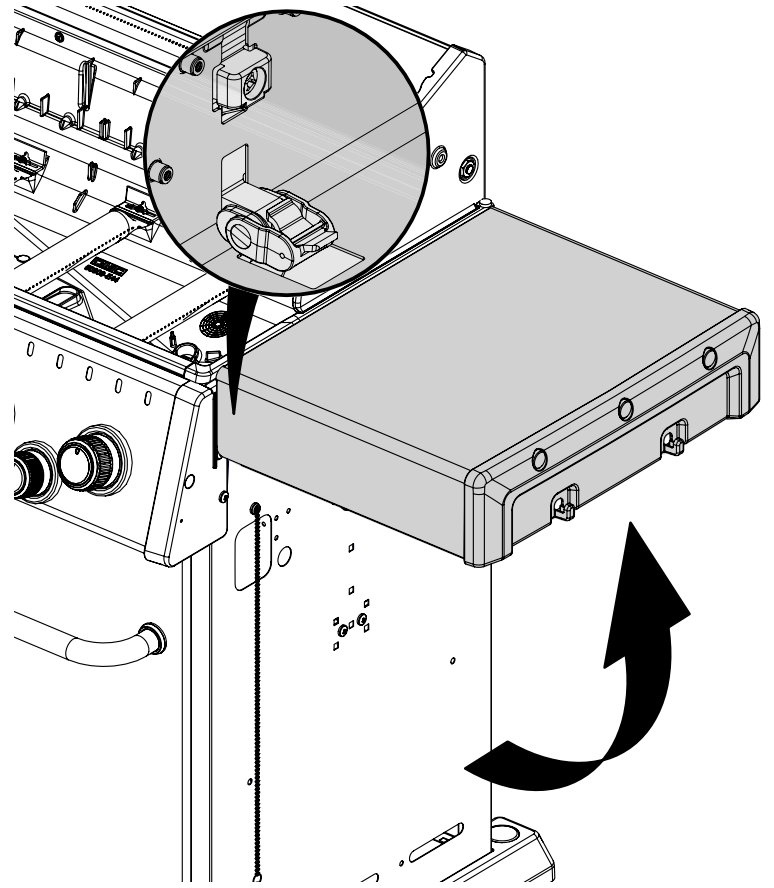
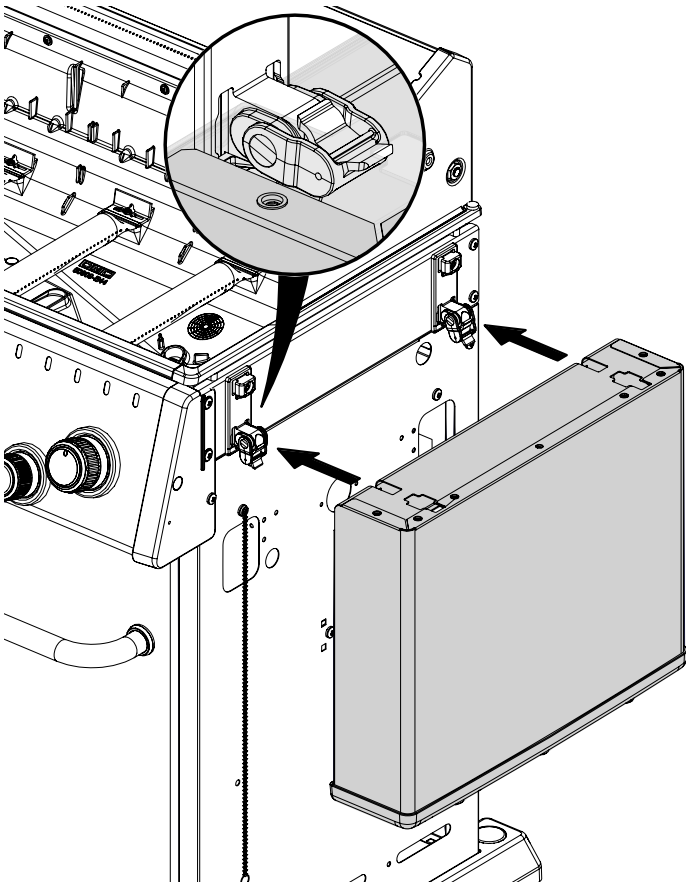


16

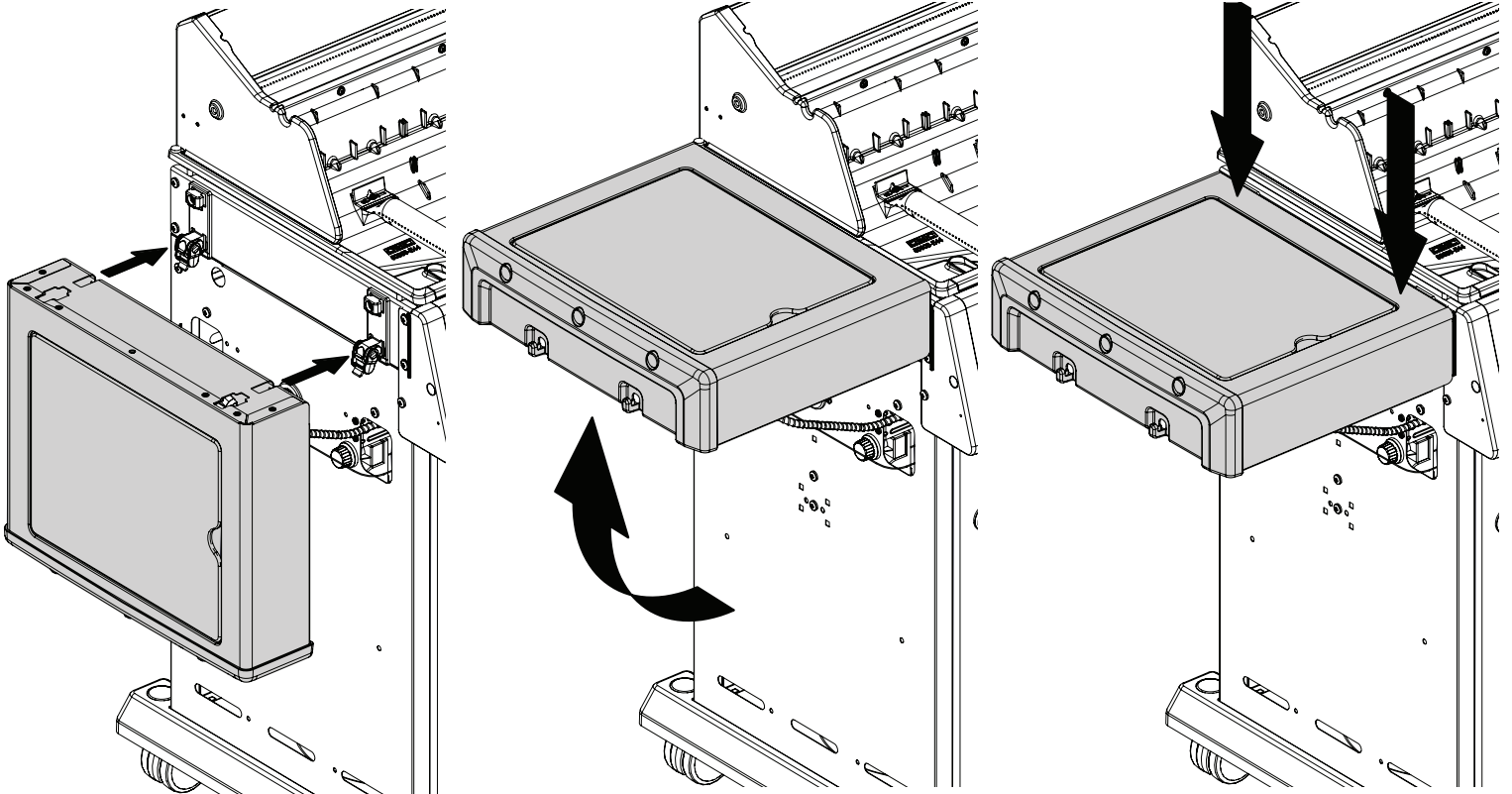
(6)



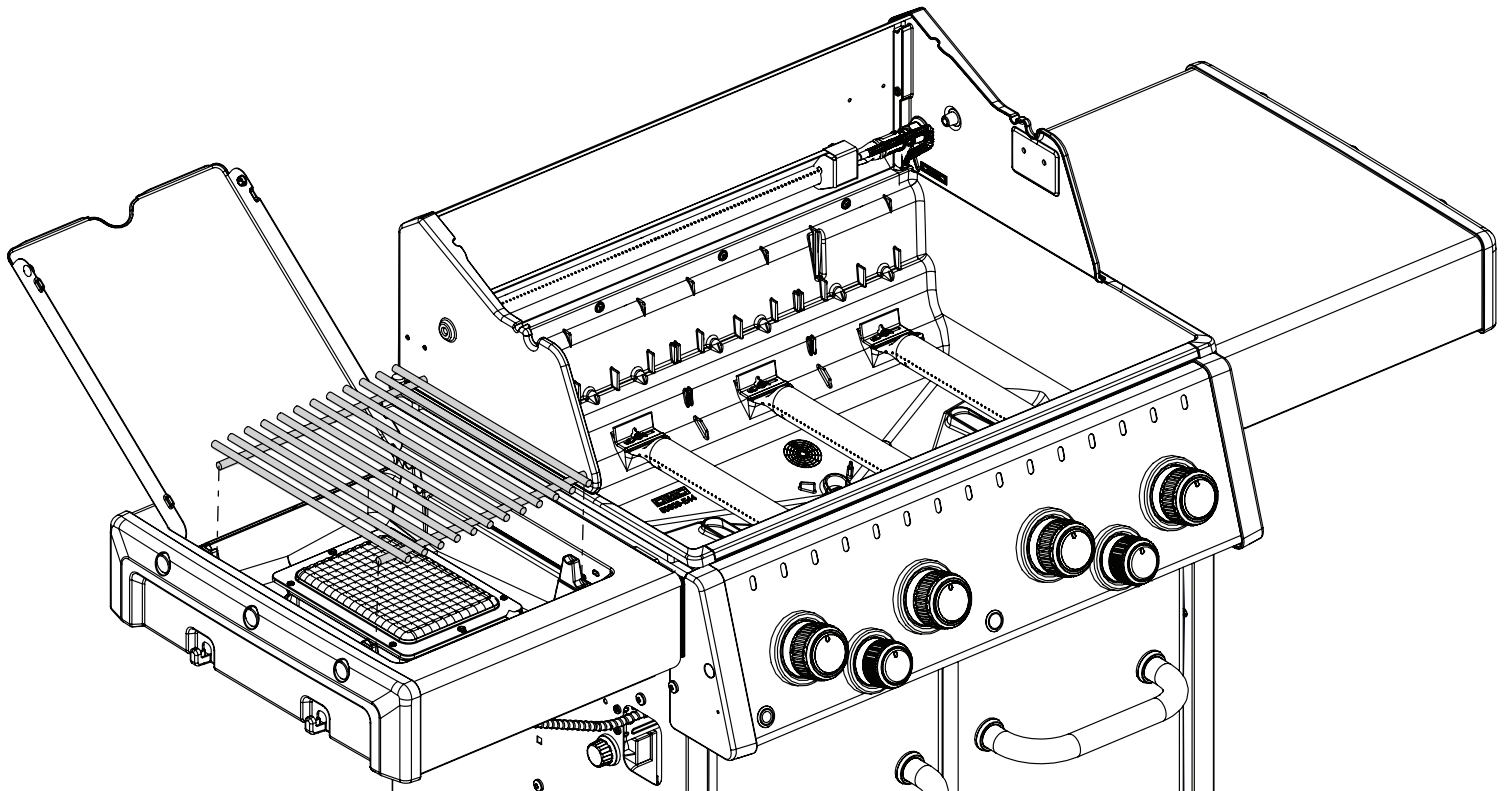
17

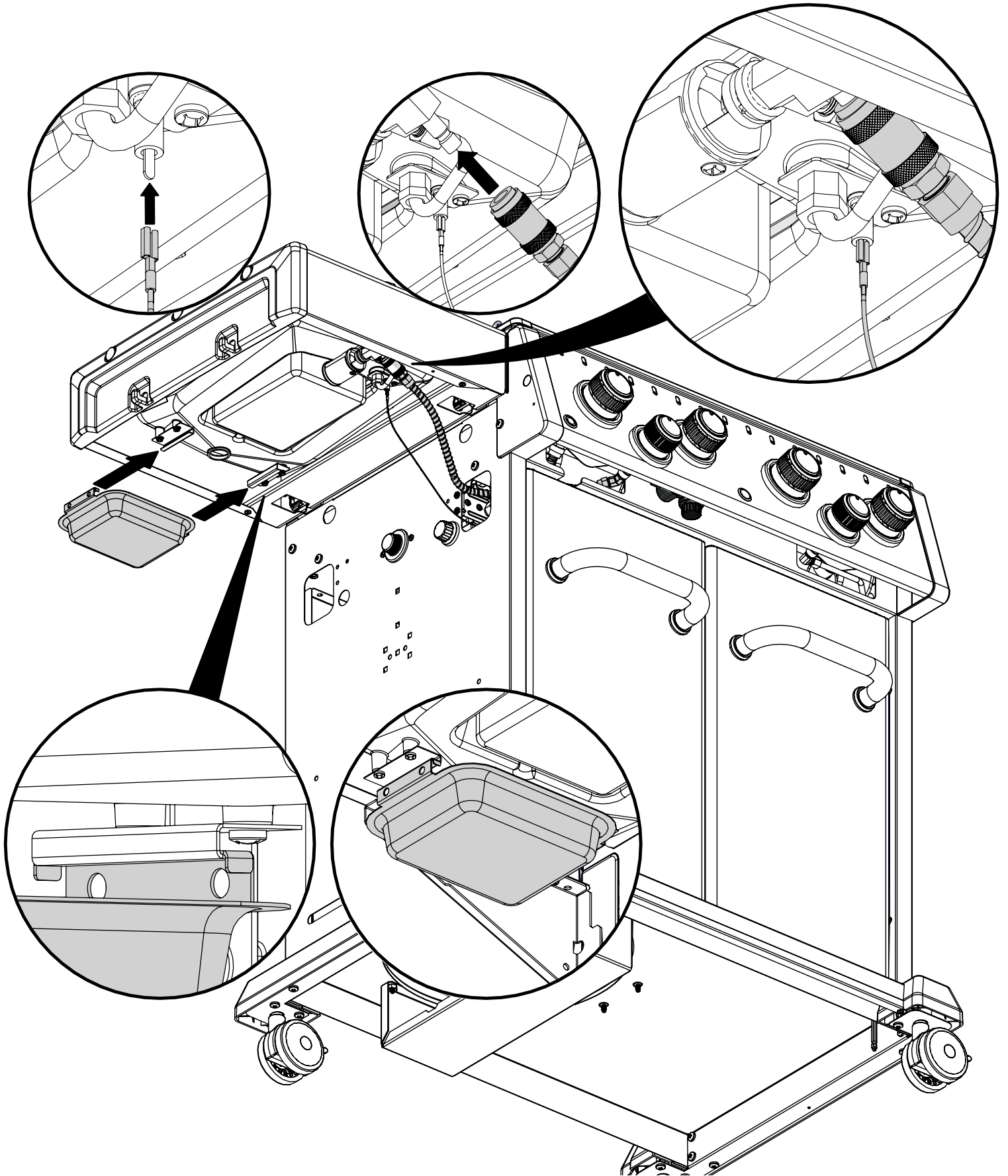


18



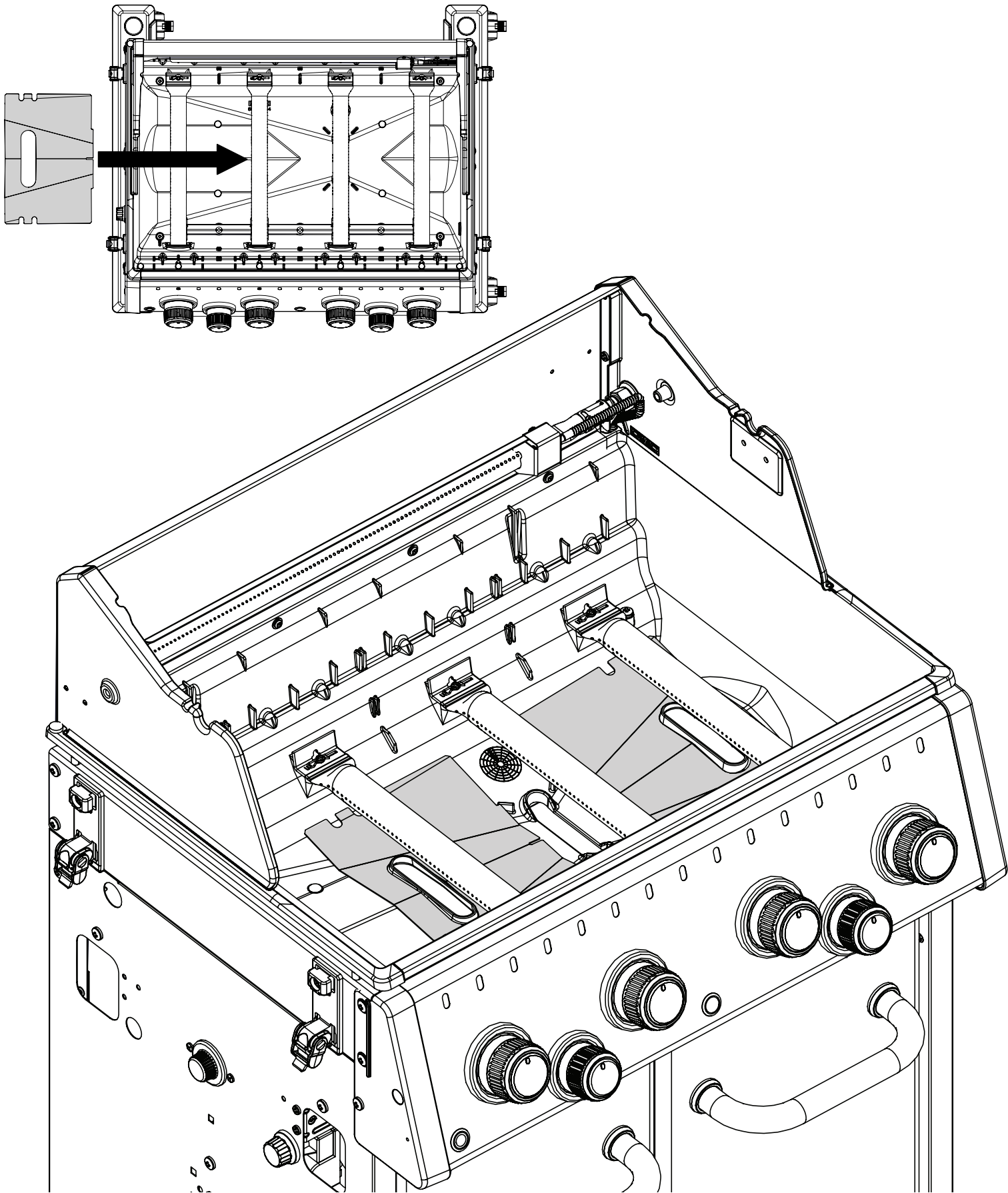
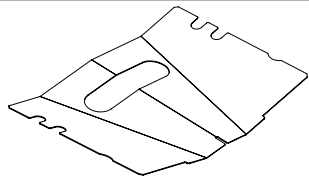
19





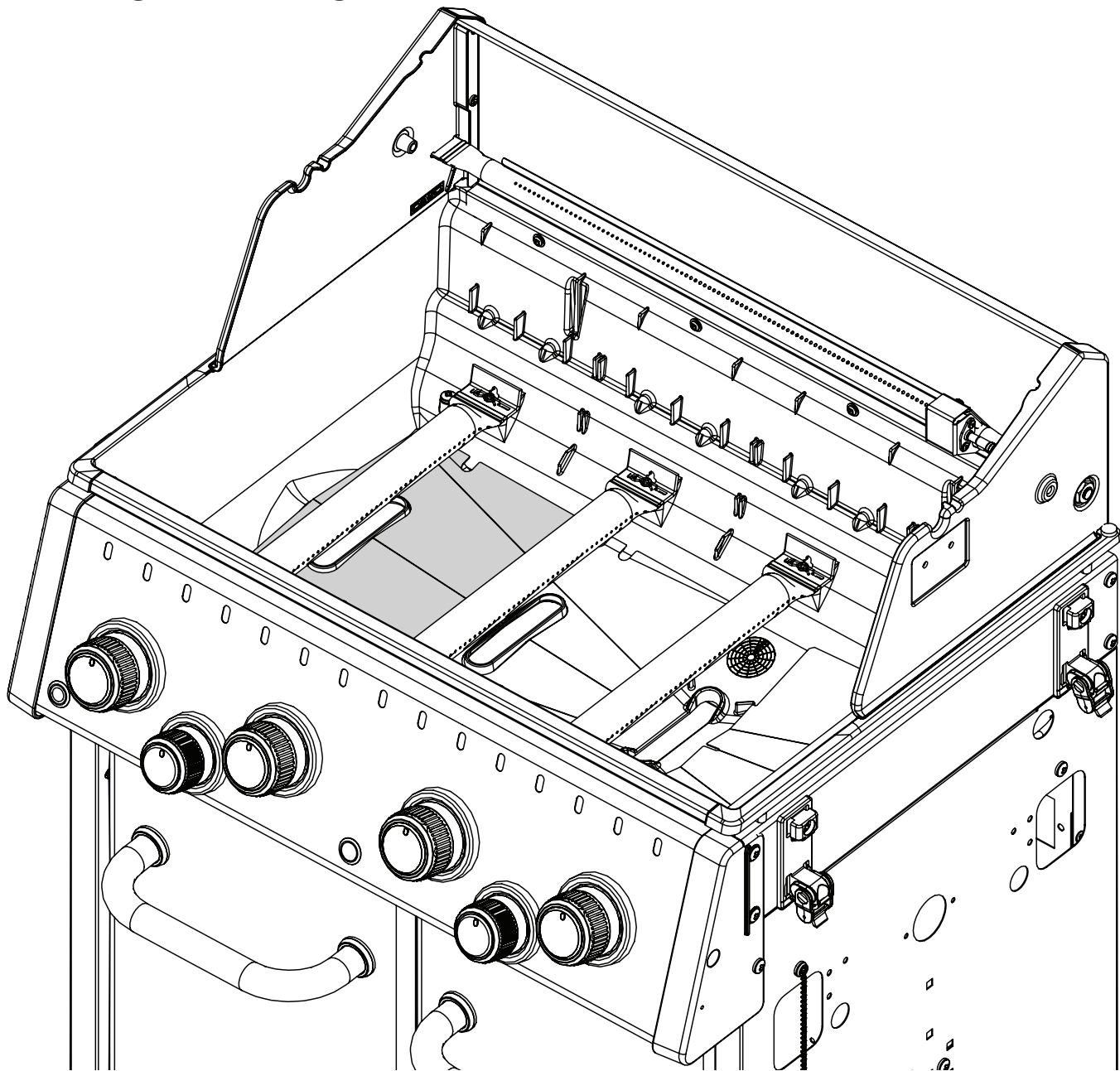
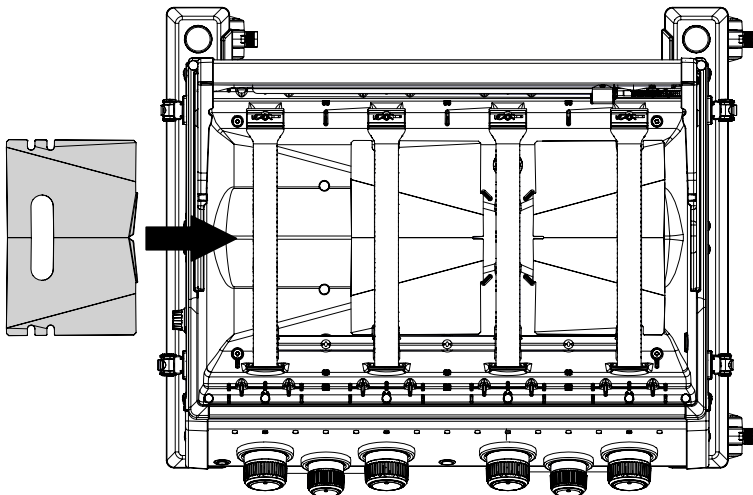
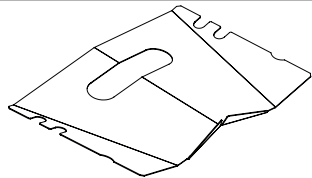
21

(2)



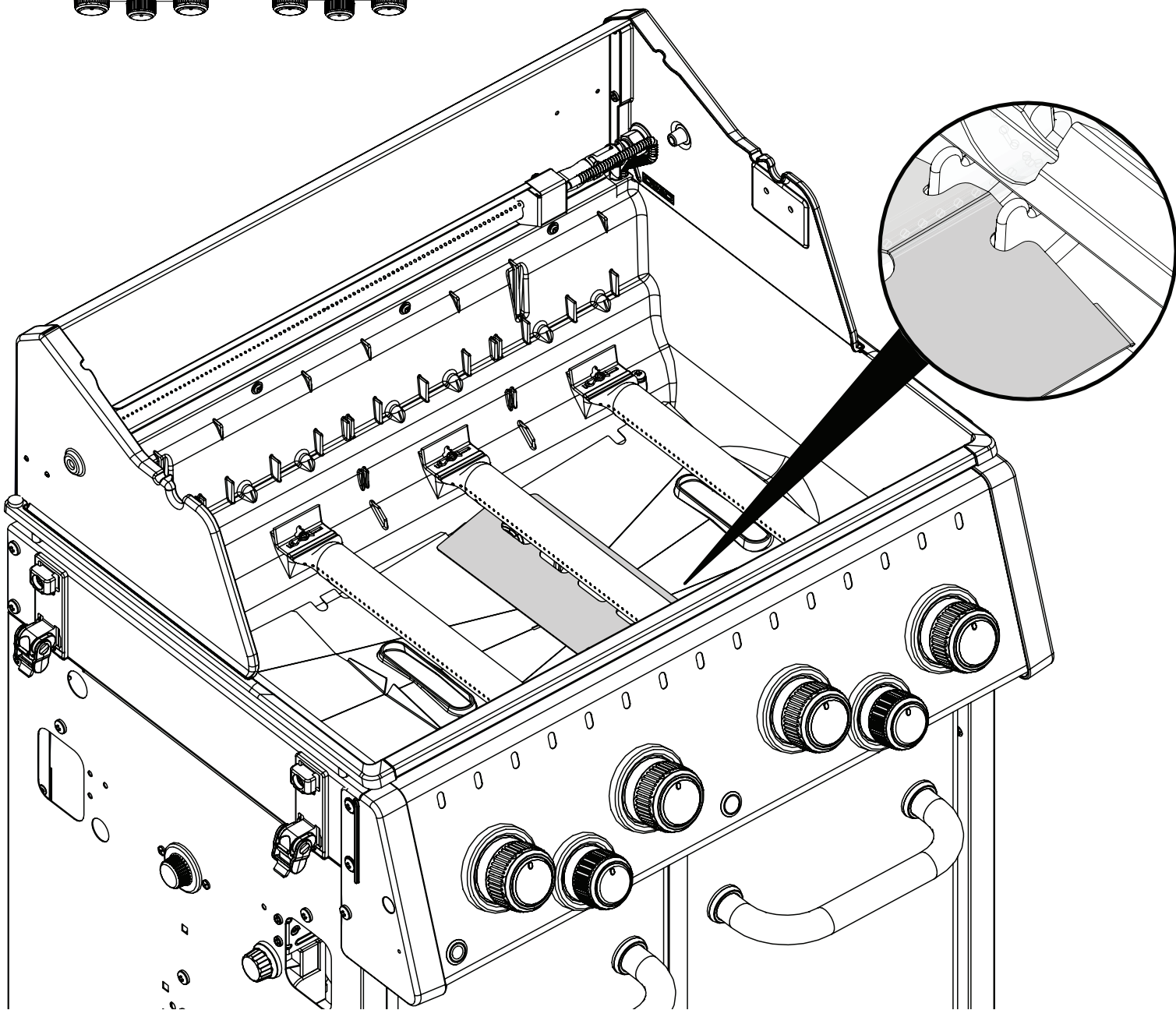
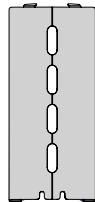
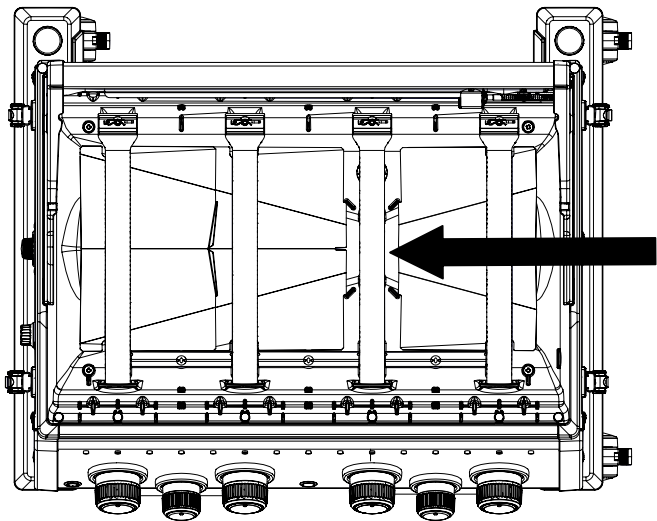
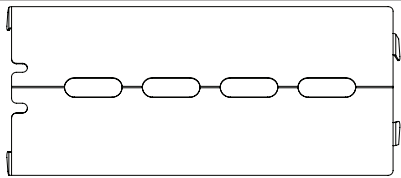
22

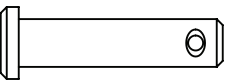
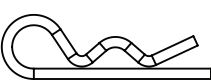
(1)

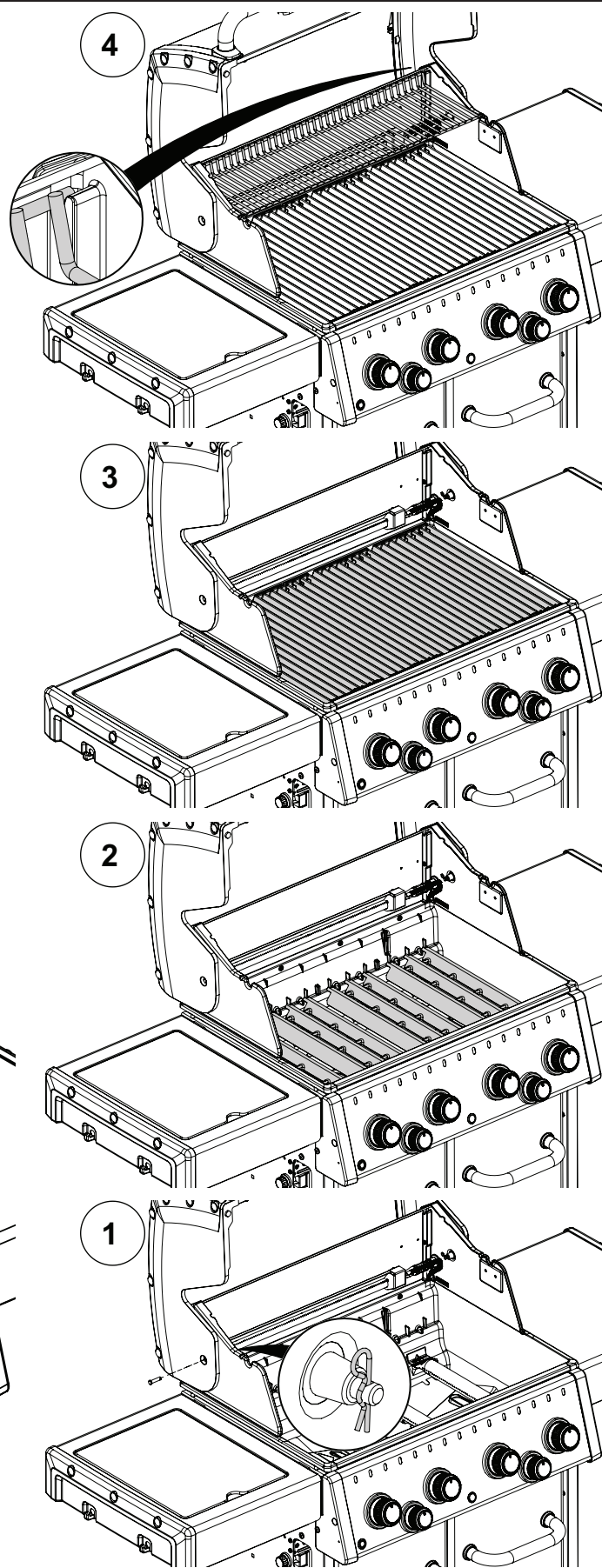
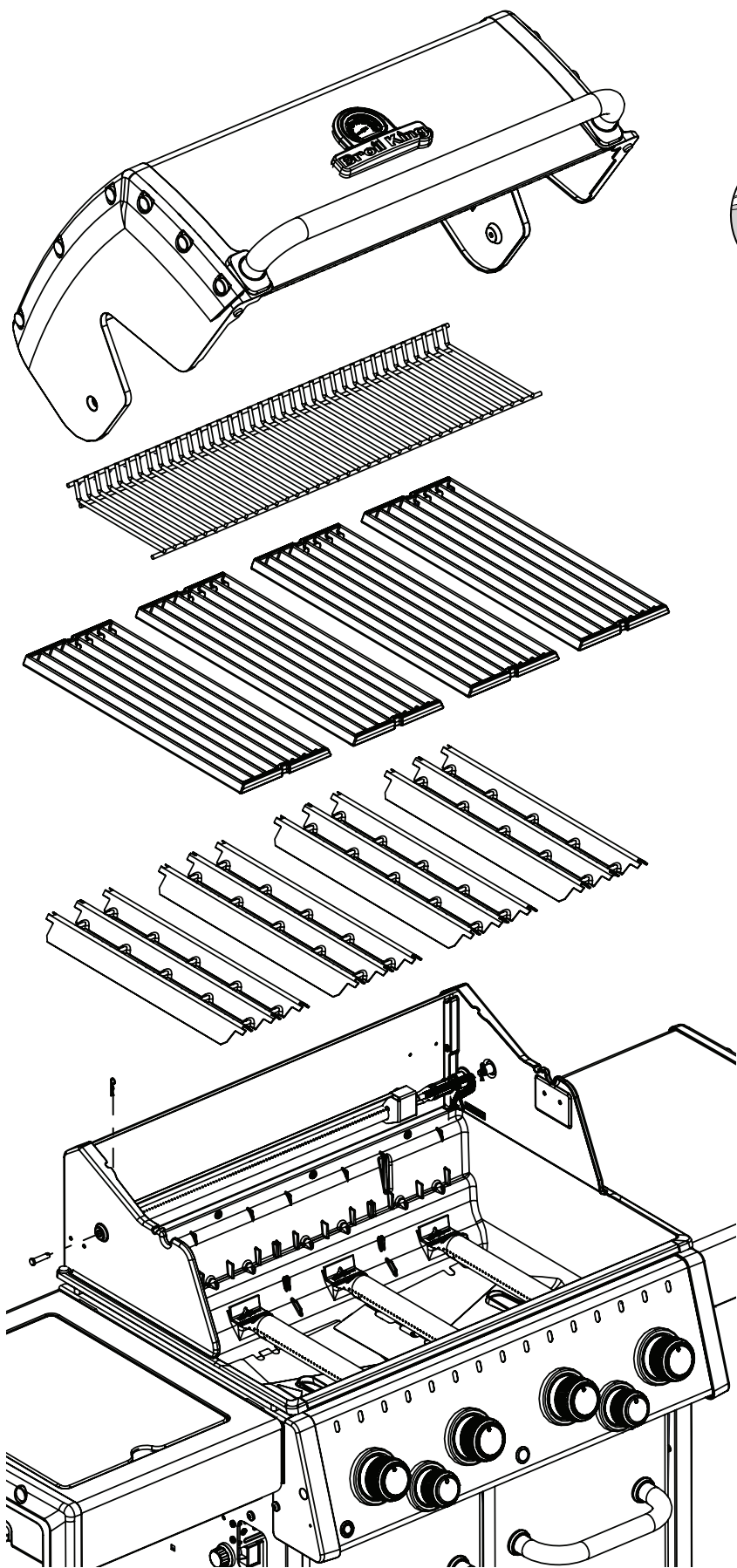


23

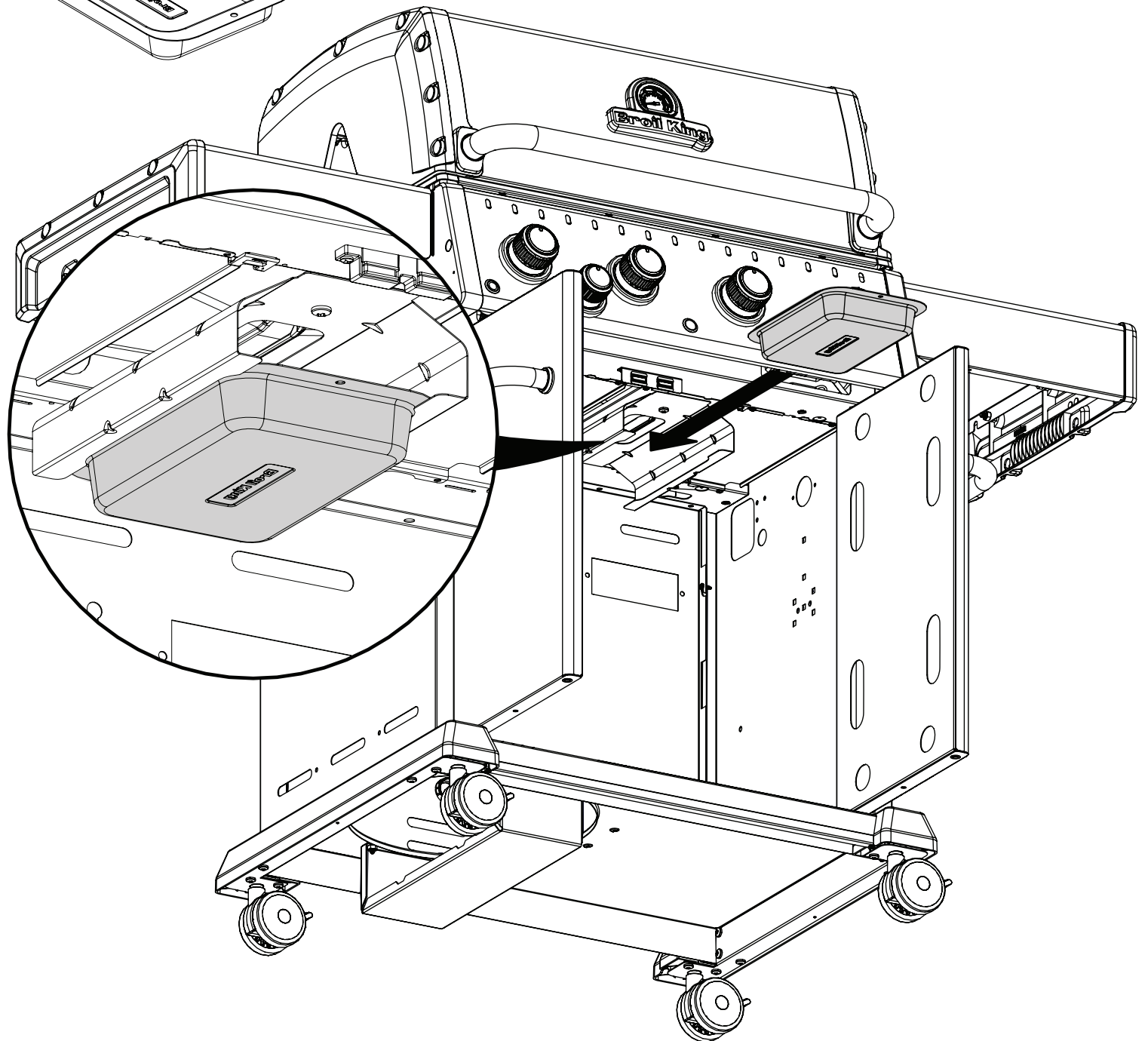
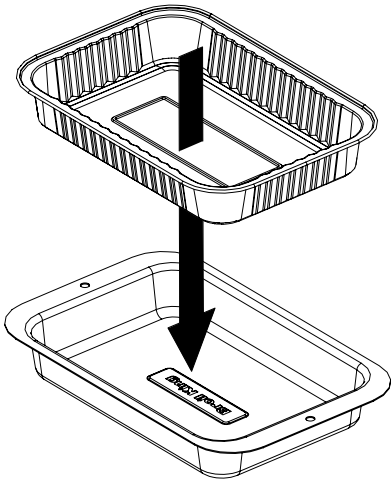
(1)



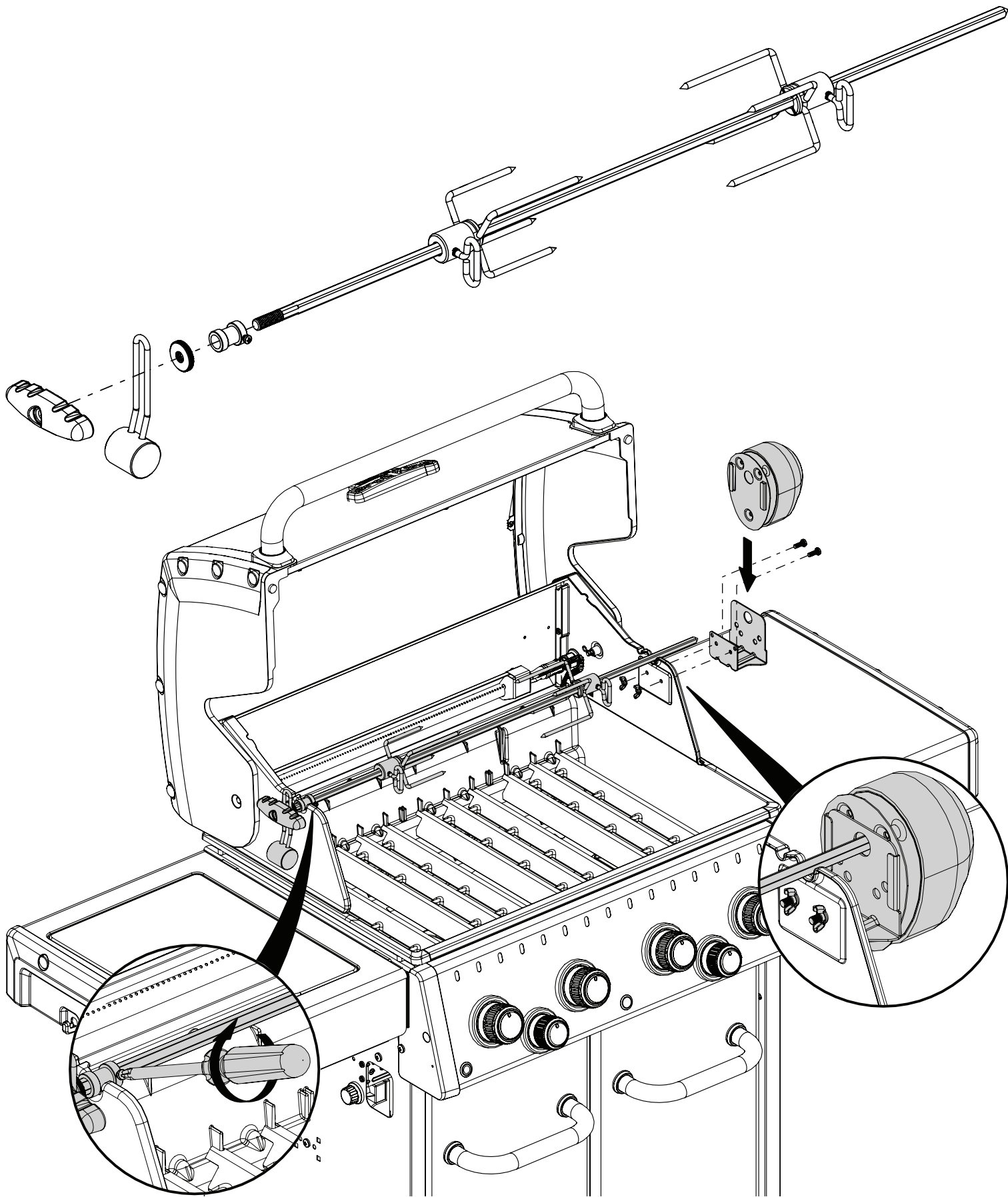
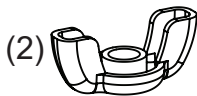
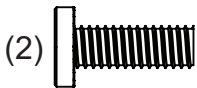
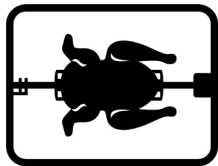
- (2) 
- (2) 

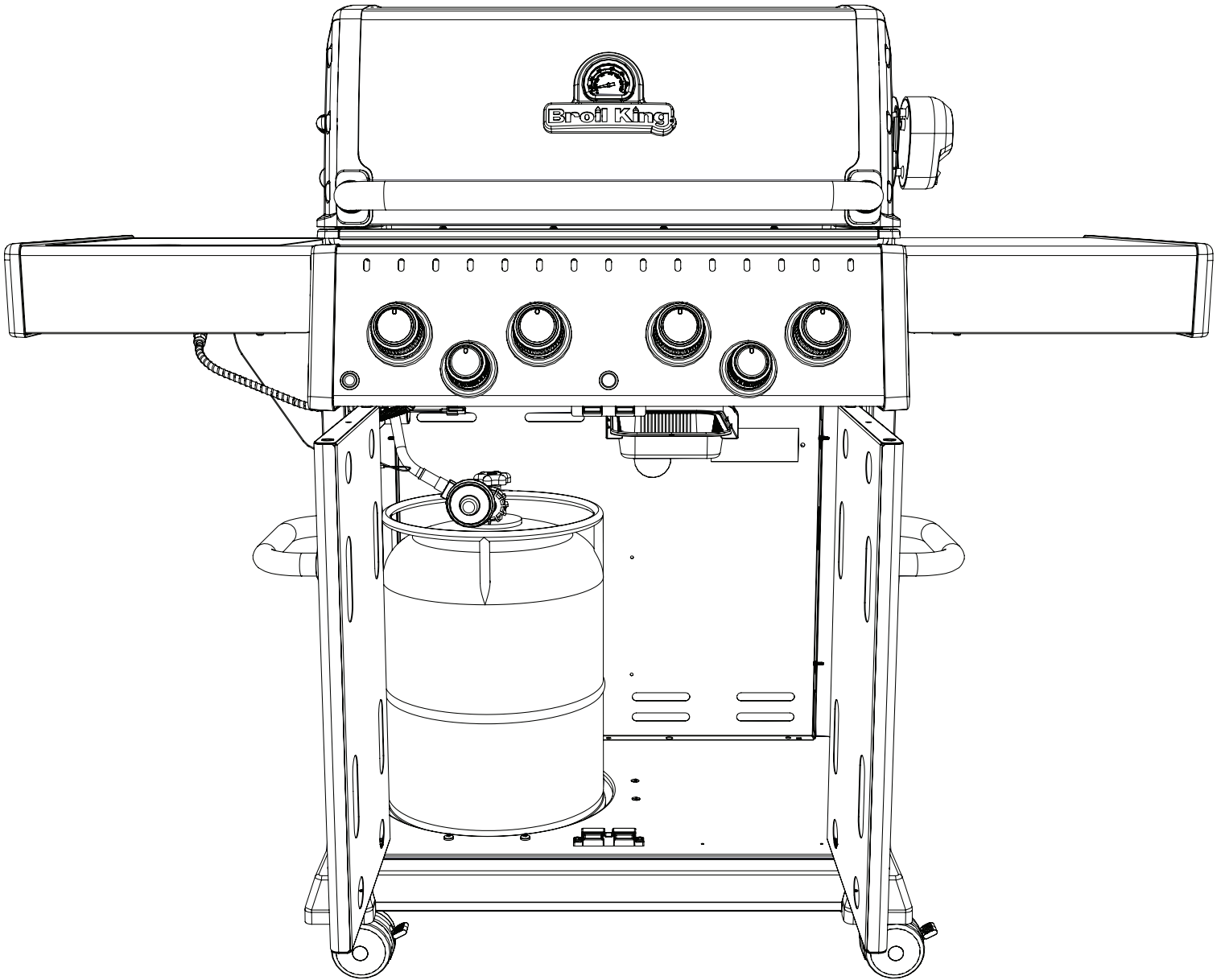


25

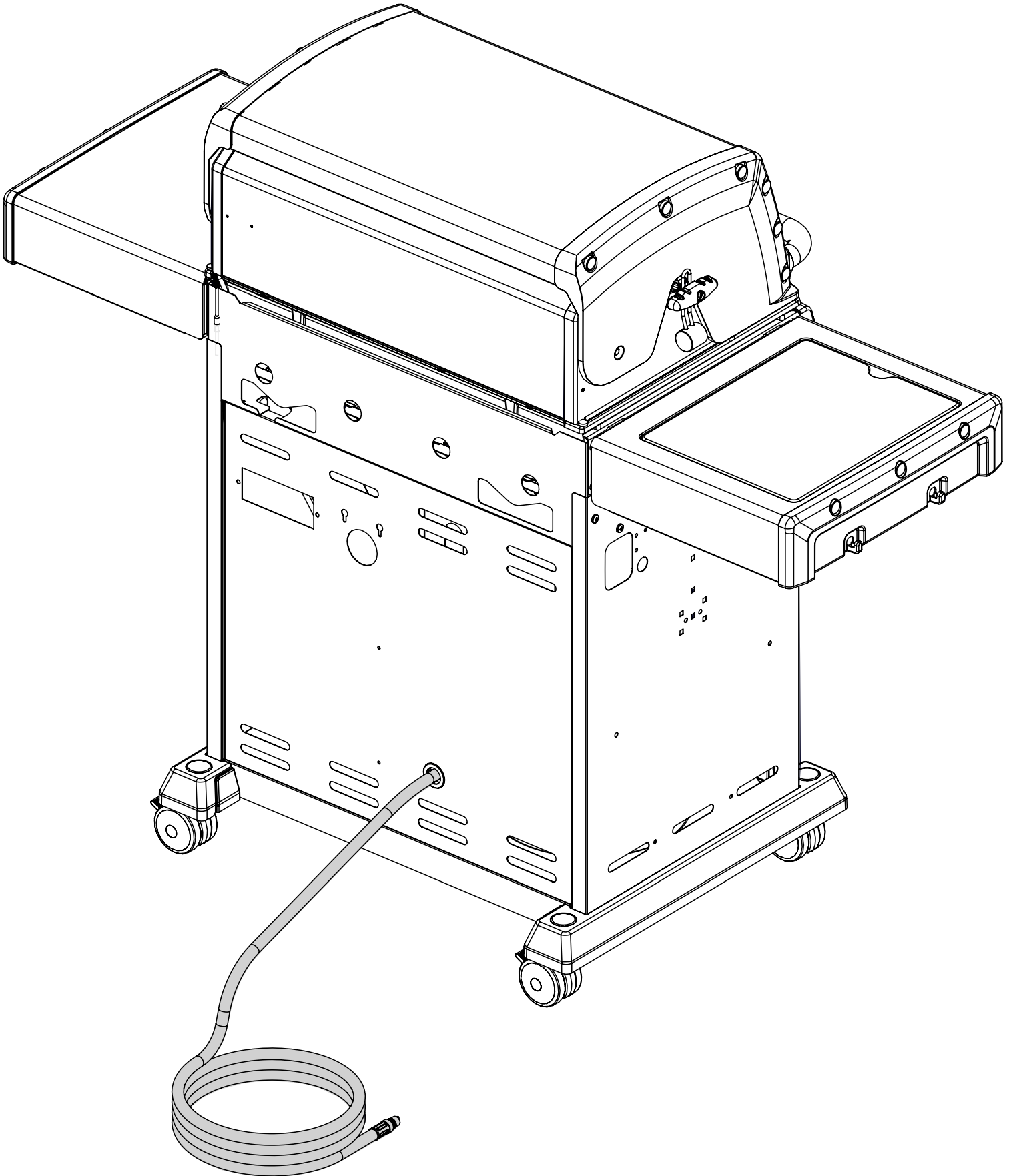


26





28



PARTS LIST / LISTE DES PIECES

<u>KEY #</u>	<u>ITEM #</u>	<u>DESCRIPTION</u>	<u>8752-82</u>	<u>8752-83</u>	<u>8759-62</u>	<u>8759-63</u>	<u>8759-82</u>	<u>8759-83</u>	<u>8759-83FRSP</u>	<u>8759-86</u>
60	10571-6	HEAT INDICATOR	1	1	1	1	1	1	1	1
61	22009-901	GREASE PAN	1	1	1	1	1	1	1	1
65	20005-000	MATCH LIGHT - STICK	1	1	1	1	1	1	1	1
68	51275-111A	DOOR	1	1
	51275-114A	DOOR	.	.	1	1	1	1	1	1
69	51275-131A	DOOR	1	1
	51275-134A	DOOR	.	.	1	1	1	1	1	1
70	21071-13	HANDLE	2	2	2	2	2	2	2	2
71	21070-13	BEZEL	4	4	4	4	4	4	4	4
78	56039-214A	MAGNET BRACKET	1	1	1	1	1	1	1	1
80	51189-101	SIDE PANEL	2	2	2	2	2	2	2	2
81	Y-11992	SCREW 1/4-20 x 2 1/4	4	4	4	4	4	4	4	4
82	51605-104	BASE TRIM	1	1	1	1	1	1	1	1
87	Y-11793	NUT 1/4-20	6	6	6	6	6	6	6	2
88	21305-921	PANEL - REAR	1	1	1	1	1	1	1	1
90	51625-131	BASE	1	1	1	1	1	1	1	.
	51625-171	BASE	1
99	32001-151	CASTOR BRACKET CAP	4	4	4	4	4	4	4	4
100	51639-108	CASTOR BRACKET	2	2	2	2	2	2	2	2
101	51039-101	CASTOR BRACKET SUPPORT	2	2	2	2	2	2	2	2
102	10892-286	CASTOR	4	4	4	4	4	4	4	4
103	21039-301	TANK BRACKET	1	1	1	1	1	1	1	.
107	Y-12870	WASHER	8	8	8	8	8	8	8	8
113	10342-T14	SIDE BURNER ELECTRODE	1	1	1	1	1	1	1	1
114	53150-614	SHELF - RIGHT	1	1	1	1	1	1	1	1
115	53150-654	SHELF - SB - LEFT	1	1	1	1	1	1	1	1
123	Y-12117	BUSHING	2	2	2	2	2	2	2	2
124	23090-27	SIDE BURNER BODY	1	1	1	1	1	1	1	1
125	23000-253	SIDE BURNER COVER	1	1	1	1	1	1	1	1
126	20395-2A	SIDE BURNER	1	.	1	.	1	.	.	.
	20395-3A	SIDE BURNER	.	1	.	1	.	1	1	.
	20395-6A	SIDE BURNER	1
127	18670	BURNER SCREEN	1	1	1	1	1	1	1	1
128	23001-79	GRID	1	1	1	1	1	1	1	1
129	Y-11990	HEX NUT	1	1	.	.	1	1	1	1
130	27905-354	BURNER ROTISSERIE	1	1	.	.	1	1	1	1
131	10693-099	REAR BURNER-ORIFICE	1	.	.	.	1	.	.	.
	10693-104	REAR BURNER-ORIFICE	.	1	.	.	.	1	1	.
	10693-161	REAR BURNER-ORIFICE	1
133	S15271	HANDLE	1	1	.	.	1	1	1	1
134	S15270	BALANCER	1	1	.	.	1	1	1	1
135	S15299	WASHER	1	1	.	.	1	1	1	1
136	S15263	BUSHING	1	1	.	.	1	1	1	1
137	S15256	SPLIT ROD	1	1	.	.	1	1	1	1
138	S15287	4 PRONG FORKS	2	2	.	.	2	2	2	2
139	57039-901	ROTISSERIE BRACKET	1	1	.	.	1	1	1	1
140	S21125S	SCREW #8 X 1/2	8	8	8	8	8	8	8	8
141	Y-11559	BOLT 1/4-20 X 1	2	2	2	2	2	2	2	2
142	S21125	SCREW #8 X 1/2	14	14	14	14	14	14	14	14
144	Y-12220	BUSHING	1
145	S21235	HINGE PIN	2	2	2	2	2	2	2	2
146	S21233	HITCH PIN CLIP	2	2	2	2	2	2	2	2
147	Y-11231	LID BUMPER	4	4	4	4	4	4	4	4
148	10240-20	DOOR PIN	2	2	2	2	2	2	2	2
149	Y-11551	SHOULDER SCREW 1/4-20 X 1	2	2	2	2	2	2	2	2
150	Y-12124	DOOR PIN CAP	2	2	2	2	2	2	2	2
151	Y-12857	WASHER	4	4	4	4	4	4	4	4
152	Y-12229	MAGNET	1	1	1	1	1	1	1	1
153	Y-12223	MAGNET - PUSH IN	2	2	2	2	2	2	2	2
154	Y-12129	WIRE CLIP	2	2	2	2	2	2	2	2
155	S21124	SCREW #8 X 1/2	8	8	8	8	8	8	8	8
157	Y-12835	SCREW #6-32 X 1/4	2	2	.	.	2	2	2	2
158	Y-12646	SCREW SHOULDER #8 X 1/2	2	2	2	2	2	2	2	2
159	S21127S	SCREW #8-32 X 7/16	19	19	17	17	19	19	19	19

