

Broil King®



Broil King®

S100 IR BURNER

804722

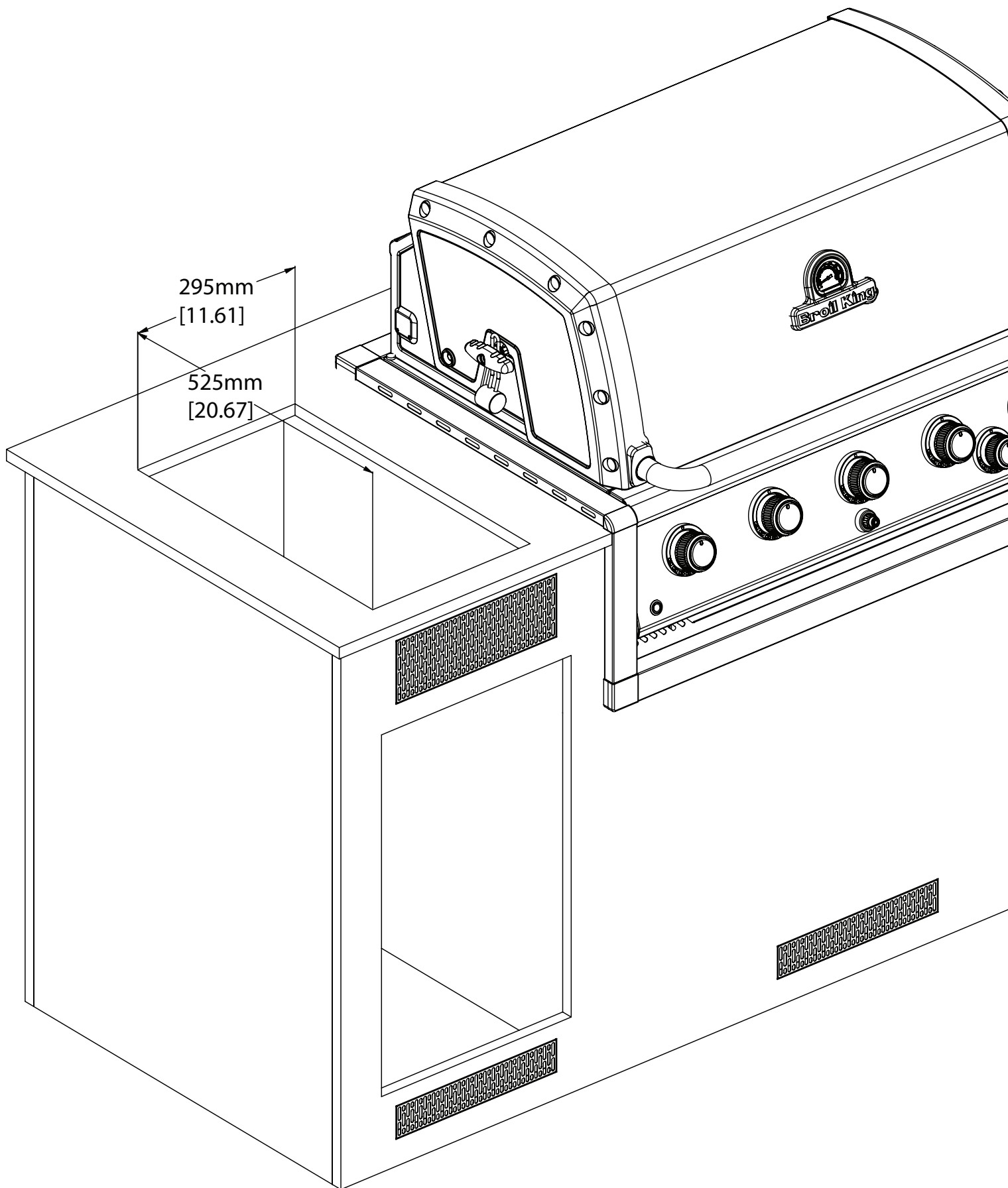
804723

804726

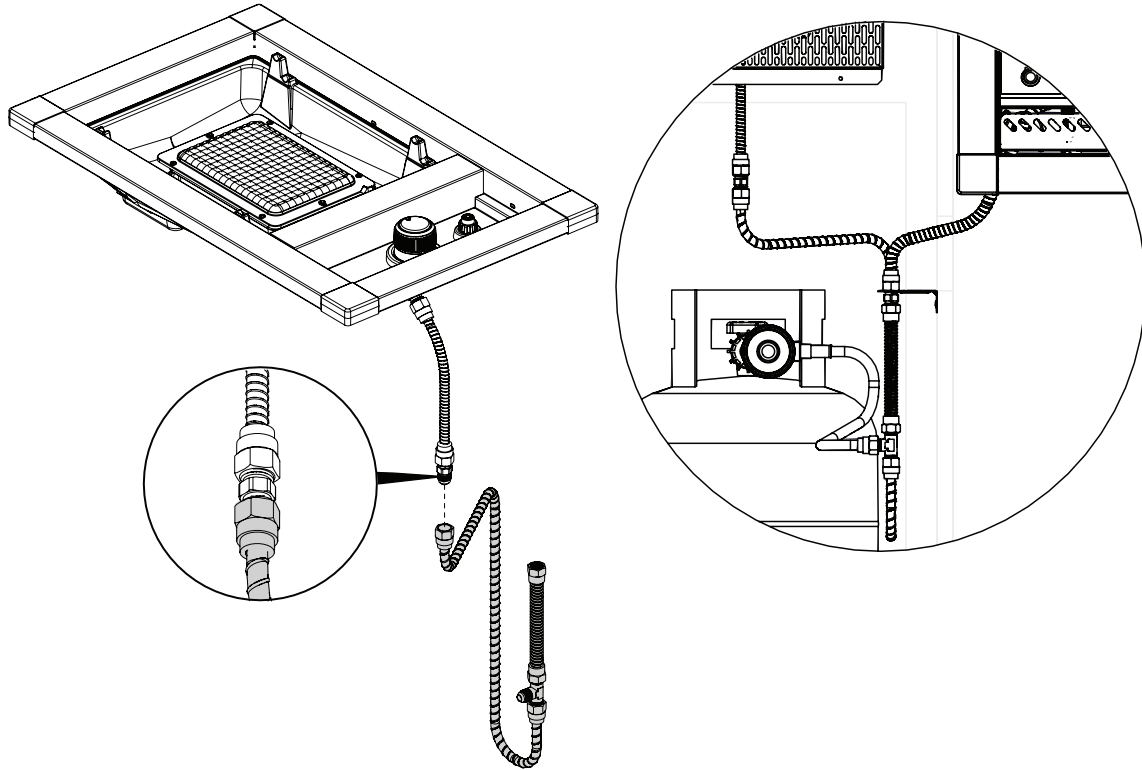
Onward
MANUFACTURING COMPANY LIMITED
SINCE 1906
585 KUMPF DRIVE
WATERLOO, ONTARIO, CANADA
N2V 1K3

70084-S101EU REV A 10/23

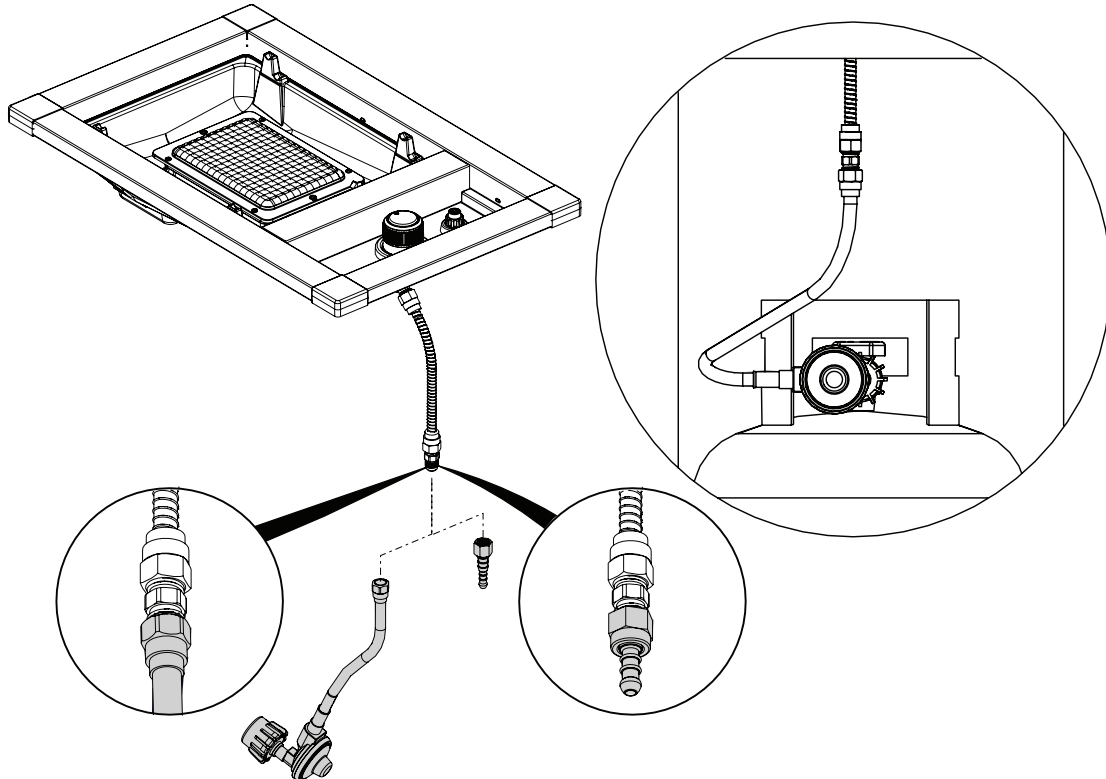
1



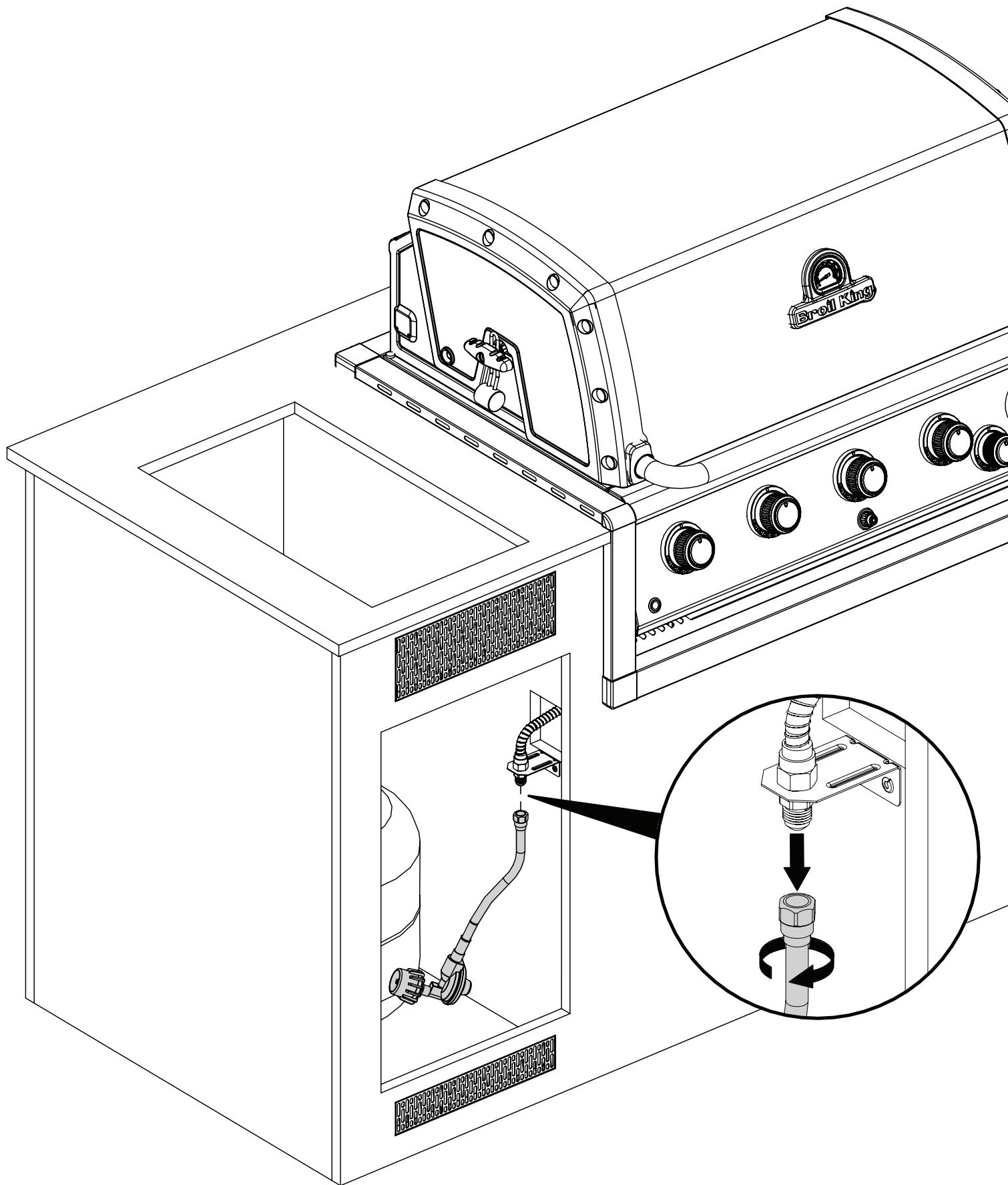
2a



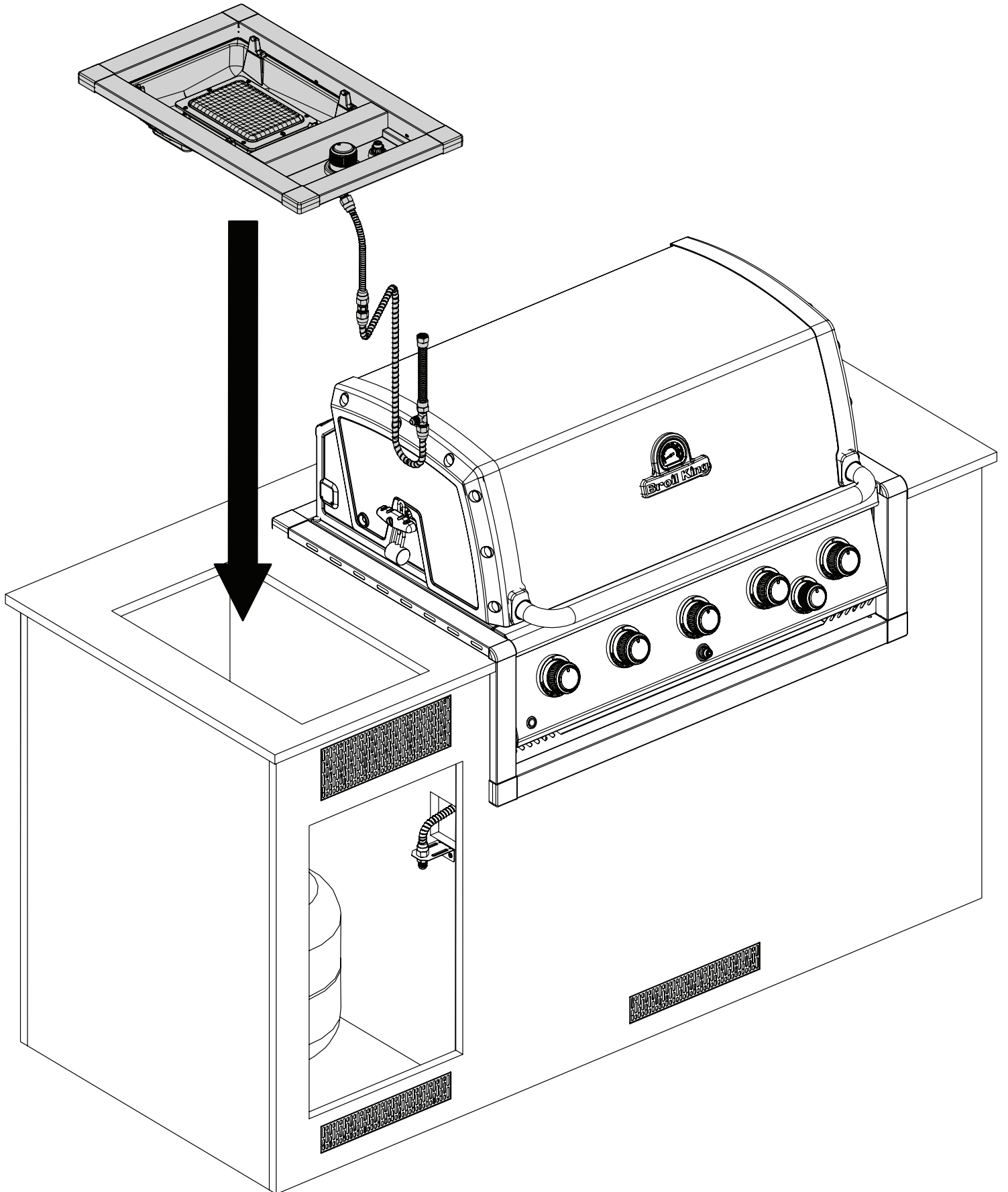
2b



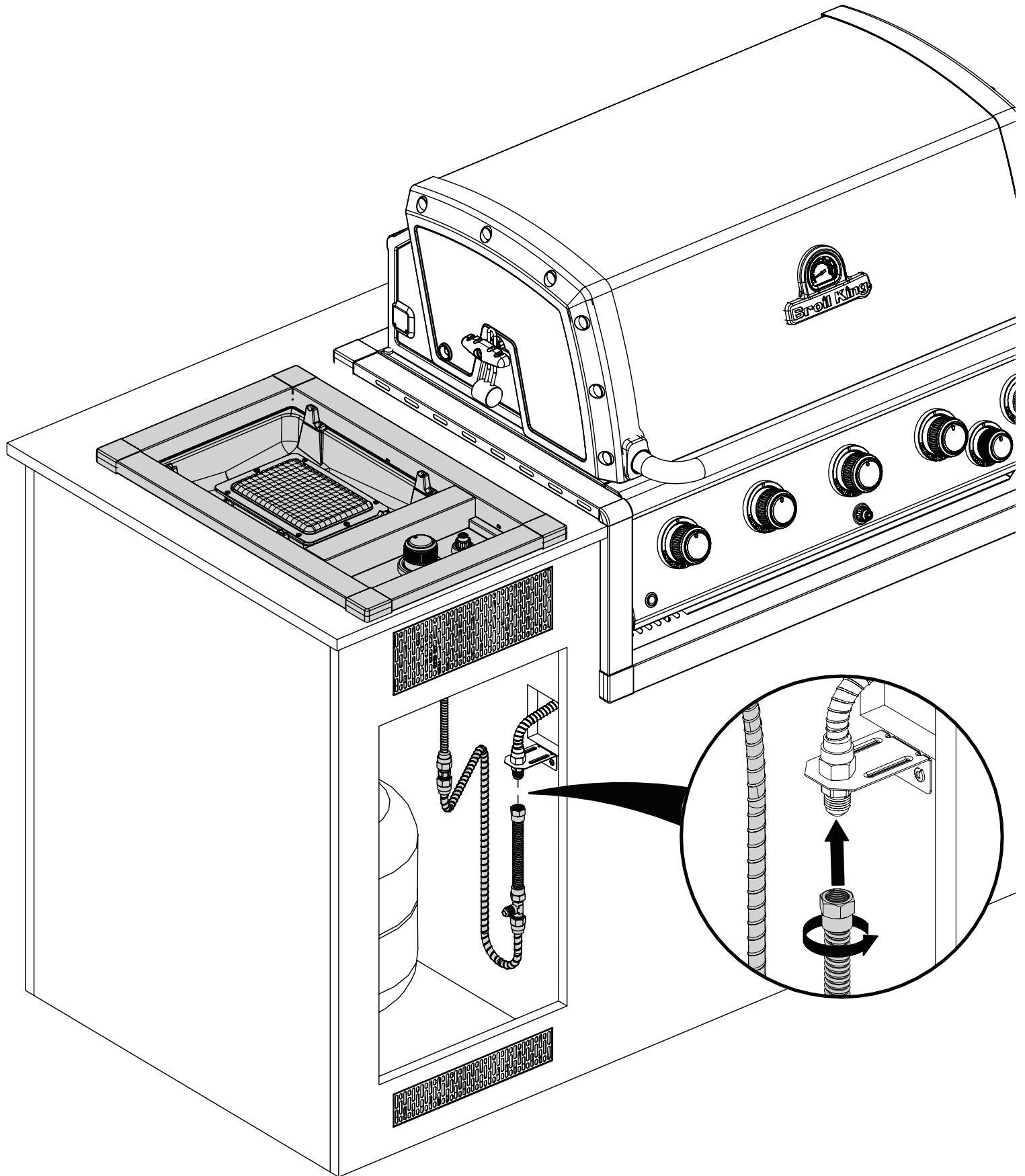
3a



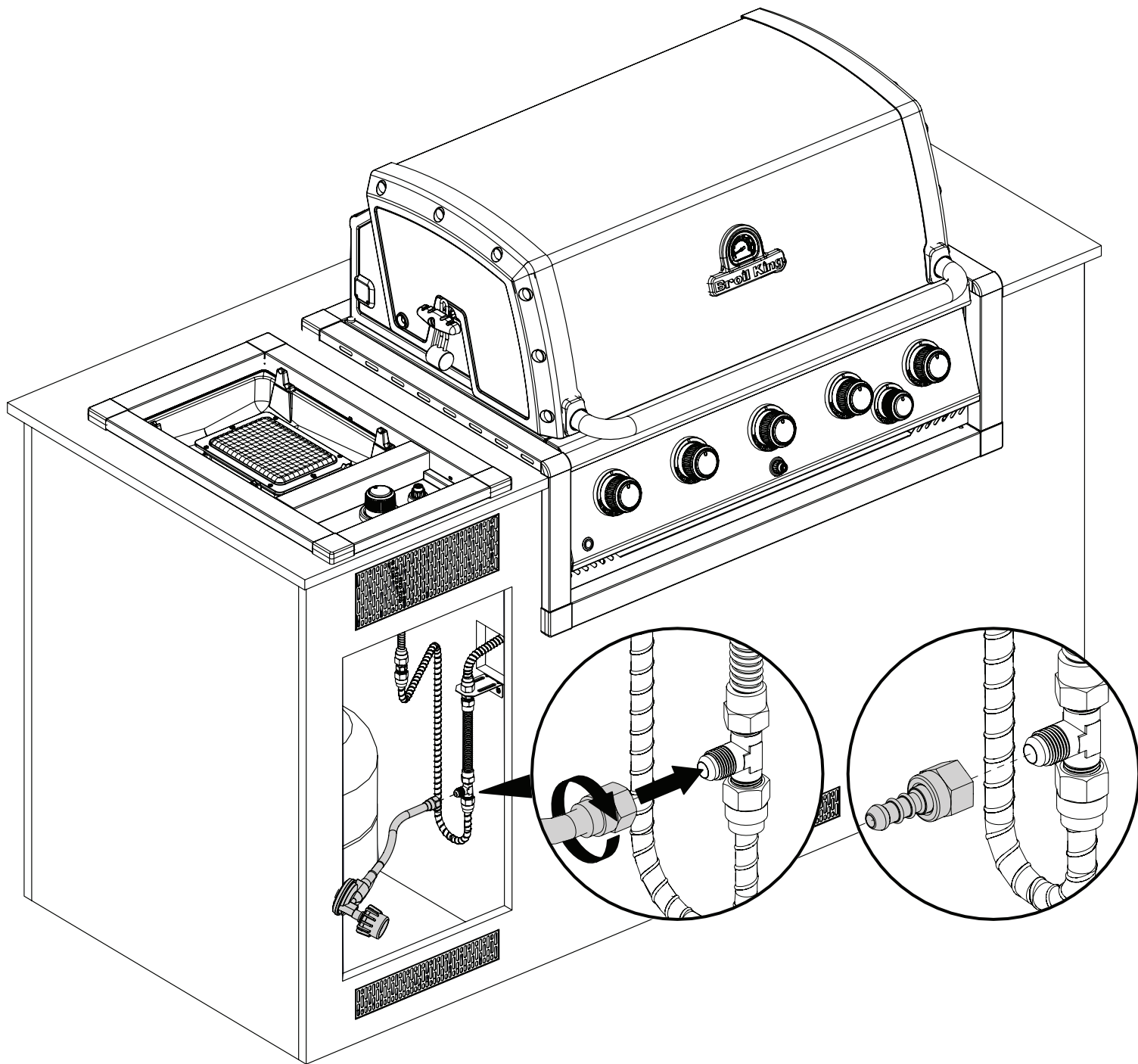
4



5a

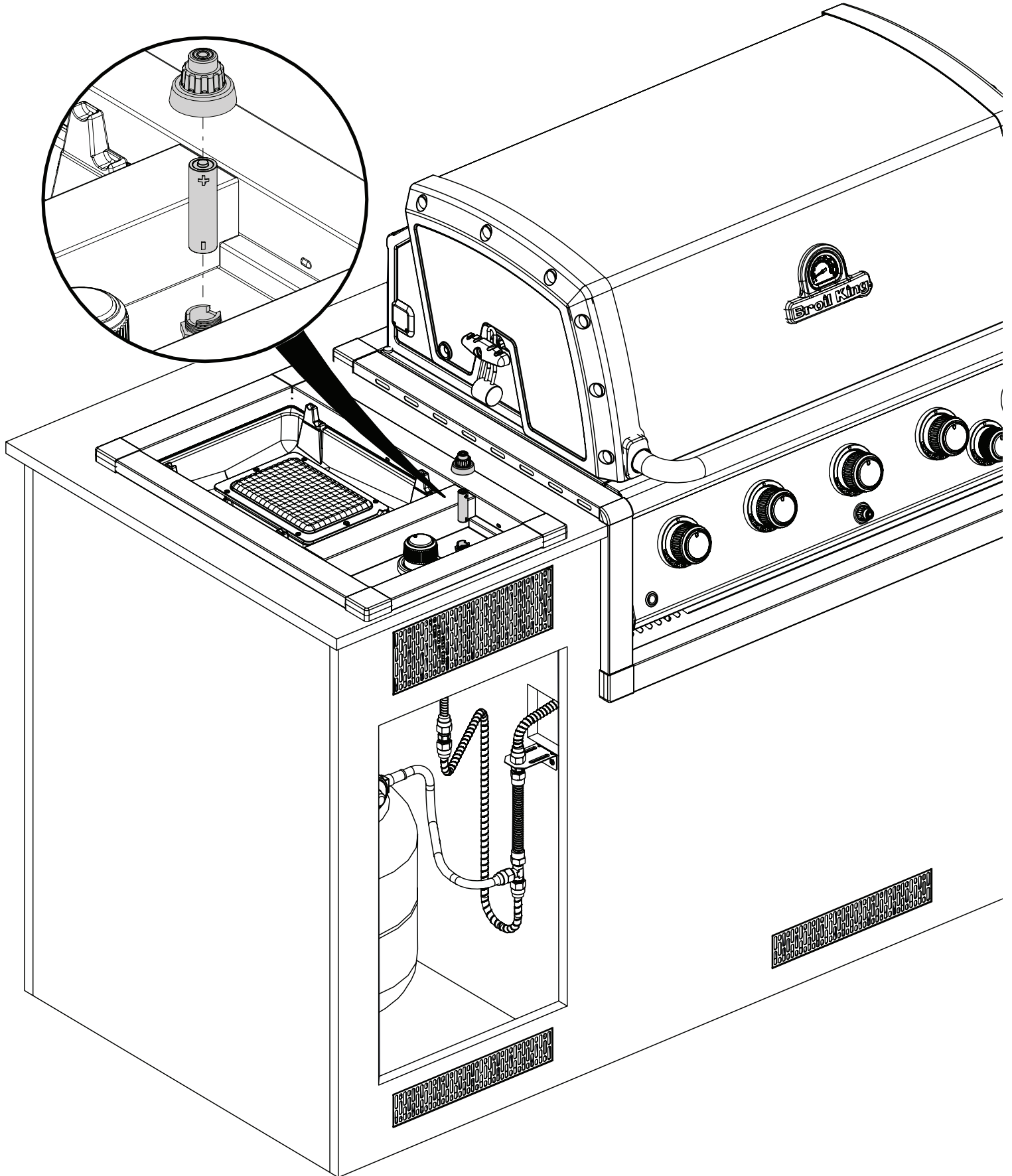
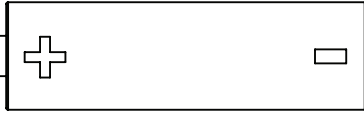


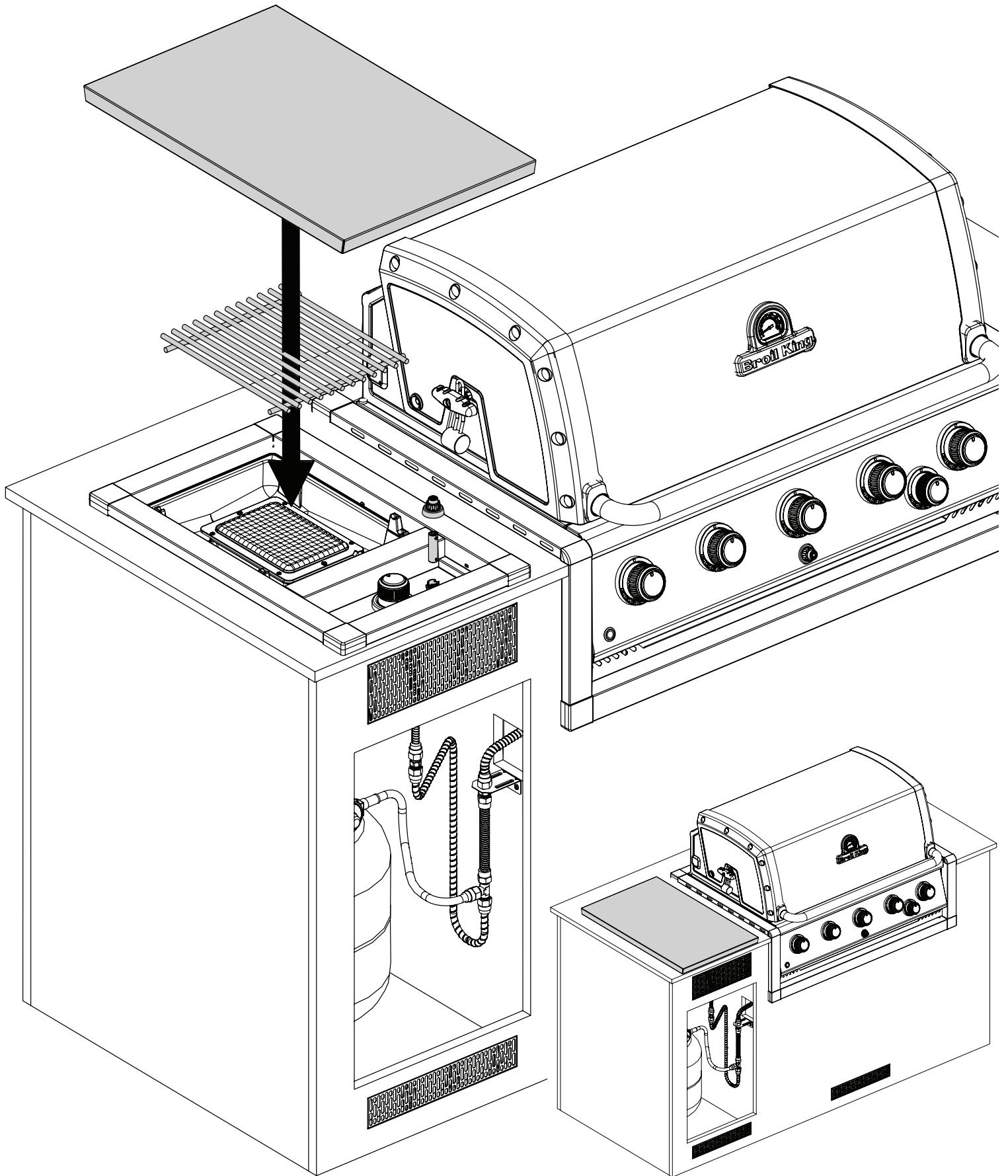
6a



7

(1)





KEY #	ITEM #	804722	804723	804726
1	73009-103A	1	1	1
2	73170-023	2	2	2
3	73149-213	2	2	2
4	73131-233	1	1	1
5	73139-233	1	1	1
6	Y-12130	4	4	4
7	22001-163	1	1	1
8	22001-668	1	1	1
10	23001-79	1	1	1
11	73001-203	1	1	1
12	20395-2A	1	•	•
	20395-3A	•	1	•
	20395-6A	•	•	1
13	70792-E20LP	1	1	•
	70792-21NG	•	•	1
14	10153-27A	1	1	1
15	10342-244	1	1	1
16	10342-T14	1	1	1
18	10111-16A	1	1	1
19	10153-37	1	1	1
20	Y-29301	8	8	8
21	Y-29304S	4	4	4
22	S21127S	8	8	8
23	18670	1	1	1
24	Y-29307	2	2	2
25	10111-14A	1	1	1
26	23039-274	2	2	2
27	22009-901	1	1	1
29	Y-12678	1	1	1
30	Y-12674	1	1	1

